

Tracking Accuracies

The standard tracking accuracy of all E&E machine slides is .001 T.I.R. per 12.00" of travel. With a maximum of .002 over 36.00" of travel.

Higher accuracy can be obtained with the use of special alignment equipment. Contact the factory for pricing.

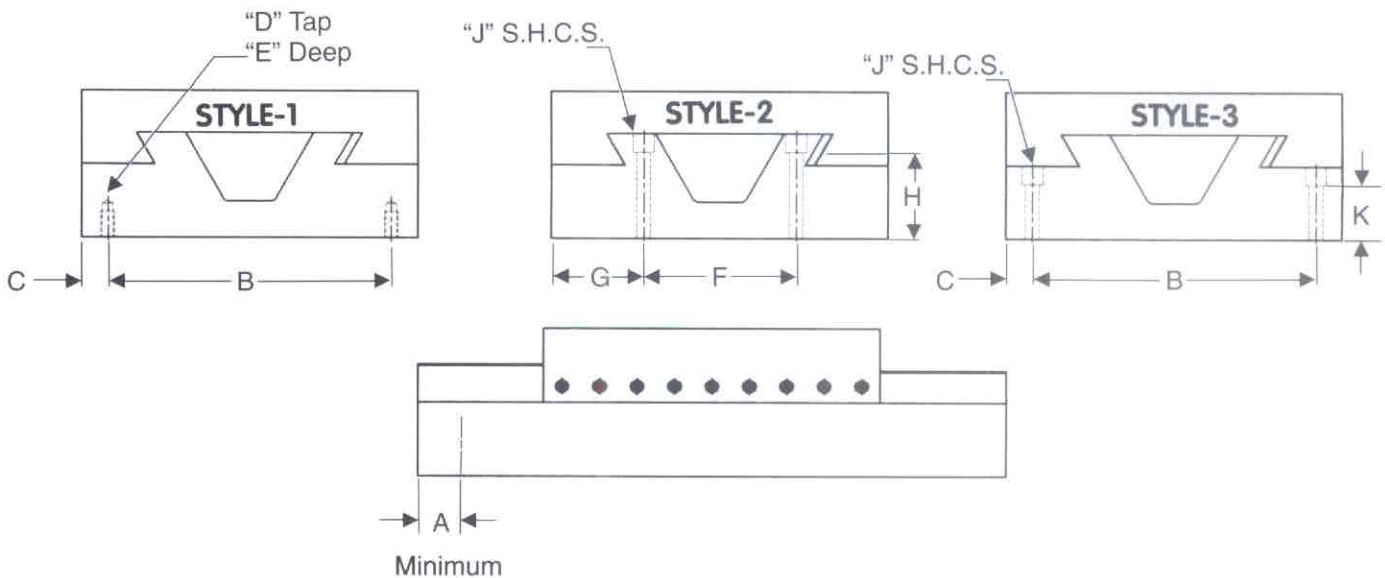
All applicable machined surfaces are square, flat and parallel to each other within .001 per foot.

DOVETAIL SLIDES
EL SERIES



TRACKING
ACCURACIES/
EU SERIES
MOUNTING HOLE
STYLE

EU Series Mounting Holes



Series Model	A	B	C	D	E	F	G	H	J	K
EU2	.50	1.500	.250	#10-24	.375	N/A	N/A	N/A	N/A	N/A
EU3	.50	2.500	.250	#10-24	.375	1.000	1.000	.813	#10	.438
EU4	1.00	3.375	.313	1/4-20	.500	1.500	1.250	1.313	.250	.875
EU6	1.25	5.250	.375	5/16-18	.625	2.500	1.750	1.313	.313	1.063
EU8	1.50	6.500	.750	3/8-16	.750	3.750	2.125	2.000	.375	1.375
EU10	1.50	8.500	.750	1/2-13	1.000	4.250	2.875	2.750	.500	1.750
EU12	1.50	10.000	1.000	5/8-11	1.250	5.500	3.250	3.125	.625	2.125
EU16	2.00	13.500	1.250	5/8-11	1.250	7.250	4.375	4.125	.625	2.625

NOTE: Specifications and dimensions are subject to change without notice. Layout prints are available upon request.