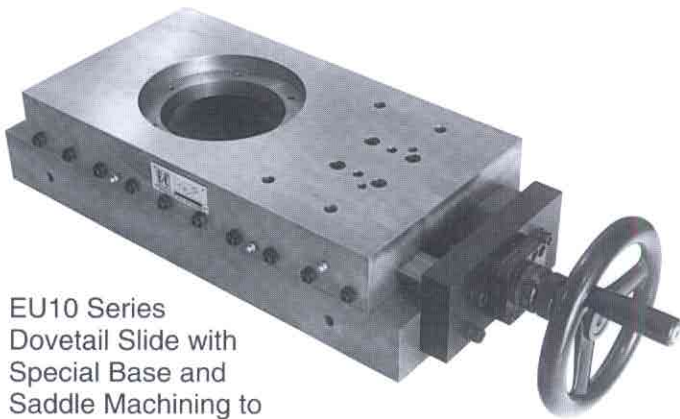




APPLICATION
PHOTOS

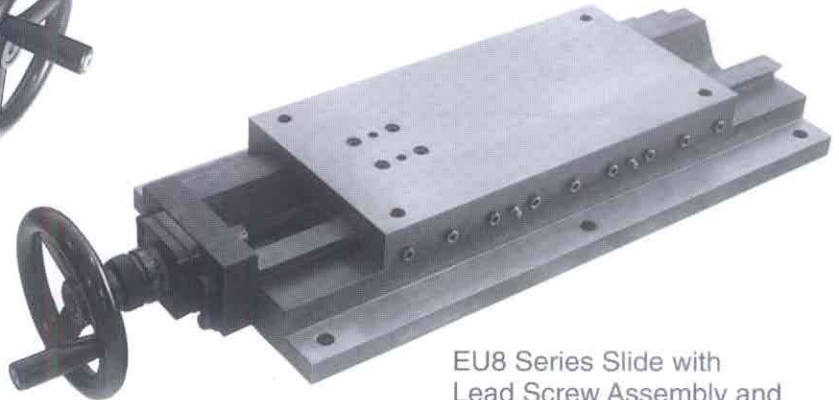
EBW15 Series with a metric
cylinder and end shocks.



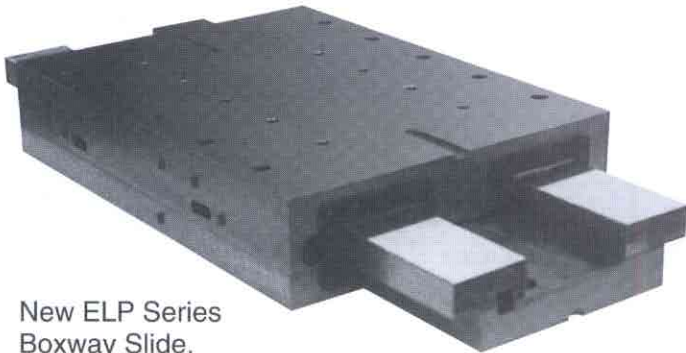
EU10 Series
Dovetail Slide with
Special Base and
Saddle Machining to
the Customer's print.



EU4 Series with
2 Saddles and a
RH/LH Lead Screw
Assembly. For a
Vise-Like Movement.



EU8 Series Slide with
Lead Screw Assembly and
an 11.0 Wide Flanged Base.



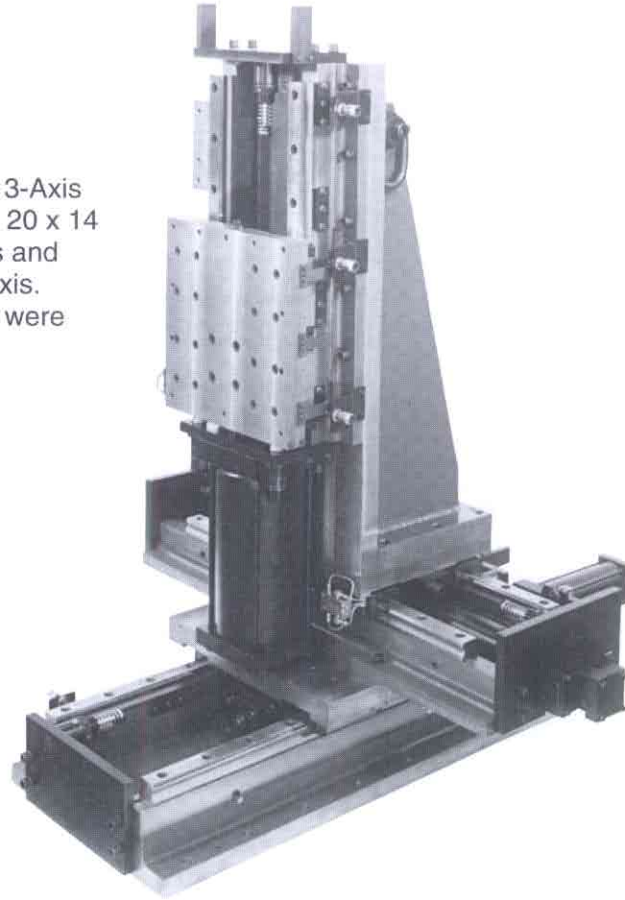
New ELP Series
Boxway Slide.



EU6 Series
with Air Cylinder
Hydraulic Check
and Limit Switch.

NOTE: Specifications and dimensions are subject to change without notice. Layout prints are available upon request.

ELF24 and ELF18 Series 3-Axis Assembly. Travels of 32 x 20 x 14 with Air Cylinders, Shocks and Prox. Switches on each Axis. Steel Telescoping Covers were provided but not shown.

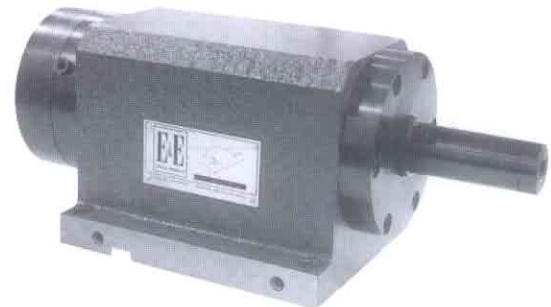


APPLICATION PHOTOS

EU8 Series Dovetail Slide complete with Servo Motor.



Low RPM/High Thrust Spindle Assembly with Labyrinth Air Seals.



EU10 Series with 2 Saddles and Way Covers.



Special EU10 Series Low Profile Compound Dovetail Slide.



NOTE: Specifications and dimensions are subject to change without notice. Layout prints are available upon request.