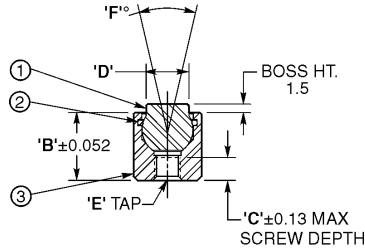
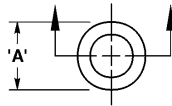
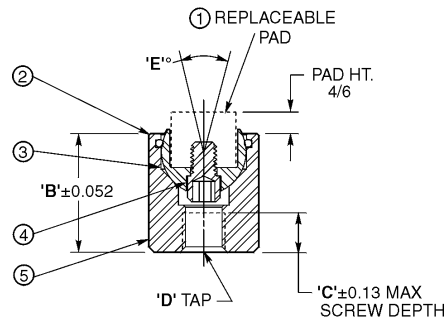
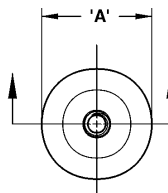


Metric Swivots-Base Design



REPLACEABLE BALL STYLE														
ASSEMBLIES								COMPONENTS						
CAD FILE NAME	PART NUMBER	A DIA	B HGT	C	D BOSS DIA	E TAP	F DEGREE SWIVEL	BALL DIA	1 BALL	2 O-RING	3 HOUSING	AVAIL TOOTH PATTERN	LOAD RATING	
EMBBU1012F or EMBBU1012S	EMBBU-1012*	10	10.5	3.5	6	M4 x 0.7	28°	7	EMBUB-070-(*)	EMBUR-070	EMBBU-1012-H	SF	2585	
	EMBBU-1025*	10	23.5	9.0	6	M4 x 0.7	28°	7	EMBUB-070-(*)	EMBUR-070	EMBBU-1025-H	SF	2585	
EMBBU1316F or EMBBU1316S	EMBBU-1316*	13	14.5	6.5	8.5	M5 x 0.8	42°	10	EMBUB-100-(*)	EMBUR-100	EMBBU-1316-H	EF/SF	4452	
	EMBBU-1325*	13	23.5	9.0	8.5	M5 x 0.8	24°	10	EMBUB-100-(*)	EMBUR-100	EMBBU-1325-H	EF/SF	4452	
EMBBU1722F or EMBBU1722S	EMBBU-1722*	17	18.0	7.0	10.0	M6 x 1.0	42°	13	EMBUB-130-(*)	EMBUR-130	EMBBU-1722-H	EF/SF	6170	

*MUST SPECIFY STYLE OF BALL BY INDICATING "S" FOR SERRATED, "F" FOR FLAT OR "D" FOR DELRIN



REPLACEABLE PAD STYLE														
ASSEMBLIES							COMPONENTS							
CAD FILE NAME	PART NUMBER	A DIA	B HGT	C	D TAP	E DEGREE SWIVEL	BALL DIA	1* REPLACE PAD DIA	2 O-RING	3 BALL	4 LOCK SCREW	5 HOUSING	LOAD RATING	
EMBBU1722	EMBBU-1722	17	18	7.5	M6 x 1.0	42°	13	10	EMBUR-130	EMBUB-130	EMBUS-130	EMTBBU-1722-H	6170	
EMBBU1924	EMBBU-1924	19	20	8.5	M8 x 1.25	22°	15	12	EMBUR-150	EMBUB-150	EMBUS-150	EMTBBU-1922-H	8688	
EMBBU2428	EMBBU-2428	24	24	9	M10 x 1.5	22°	20	16	EMBUR-160	EMBUB-160	EMBUS-160	EMTBBU-2428-H	13122	
EMBBU3030	EMBBU-3030	30	26	8.5	M12 x 1.75	20°	23	20	EMBUR-200	EMBUB-200	EMBUS-200	EMTBBU-3030-H	21348	
EMBBU3636	EMBBU-3636	36	32	12	M12 x 1.75	20°	28	25	EMBUR-250	EMBUB-250	EMBUS-250	EMTBBU-3636-H	30558	

*MUST PURCHASE REPLACEABLE PAD SEPARATELY (REFER TO PAGE E-60, E-61 OR E-67)

CAD Directory
Mach-Tool\Met-Gripper

All dimensions are in mm

Note: The shortest standard component is given, you may "stretch" the unit to the desired length.