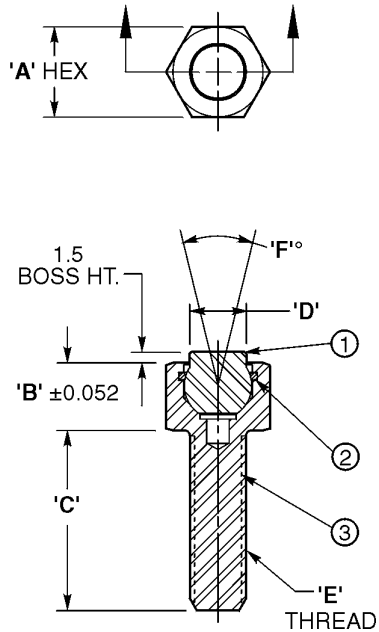


Metric Swivots – Hex Head Adjustable – Ball Style



Metric



HEX HEAD ADJUSTABLE DESIGN-REPLACEABLE BALL STYLE												
ASSEMBLIES								COMPONENTS				
CAD FILE NAME (see note below)	PART NUMBER	A HEX	B HEAD HT	C THD LENGTH	D BOSS DIA	E THD	F DEGREE SWIVEL	BALL DIA	1 O-RING	2 BALL	3 HOUSING	LOAD RATING LBS.
EMBUH06012S or EMBUH0612F	EMBUH-06012-(*)	10	9.5	12	6	M6 x 1.0	20'	7	EMBUR-070	EMBUB-070-(*)	EMBUR-06012-H	2061
	EMBUH-06025-(*)	10	9.5	25	6	M6 x 1.0	20'	7	EMBUR-070	EMBUB-070-(*)	EMBUR-06025-H	2061
	EMBUH-06040-(*)	10	9.5	40	6	M6 x 1.0	20'	7	EMBUR-070	EMBUB-070-(*)	EMBUR-06040-H	2061
EMBUH08012S or EMBUH08012F	EMBUH-08012-(*)	13	13	12	8.5	M8 x 1.25	24'	10	EMBUR-100	EMBUB-100-(*)	EMBUR-08012-H	3450
	EMBUH-08025-(*)	13	13	25	8.5	M8 x 1.25	24'	10	EMBUR-100	EMBUB-100-(*)	EMBUR-08025-H	3450
	EMBUH-08040-(*)	13	13	40	8.5	M8 x 1.25	24'	10	EMBUR-100	EMBUB-100-(*)	EMBUR-08040-H	3450
EMBUH10015S or EMBUH10015F	EMBUH-10015-(*)	17	14.5	15	10	M10 x 1.5	42'	13	EMBUR-130	EMBUB-130-(*)	EMBUR-10015-H	4194
	EMBUH-10030-(*)	17	14.5	30	10	M10 x 1.5	42'	13	EMBUR-130	EMBUB-130-(*)	EMBUR-10030-H	4194
	EMBUH-10050-(*)	17	14.5	50	10	M10 x 1.5	42'	13	EMBUR-130	EMBUB-130-(*)	EMBUR-10050-H	4194

*MUST SPECIFY STYLE OF BALL BY INDICATING "S" FOR SERRATED, "F" FOR FLAT OR "D" FOR DELRIN