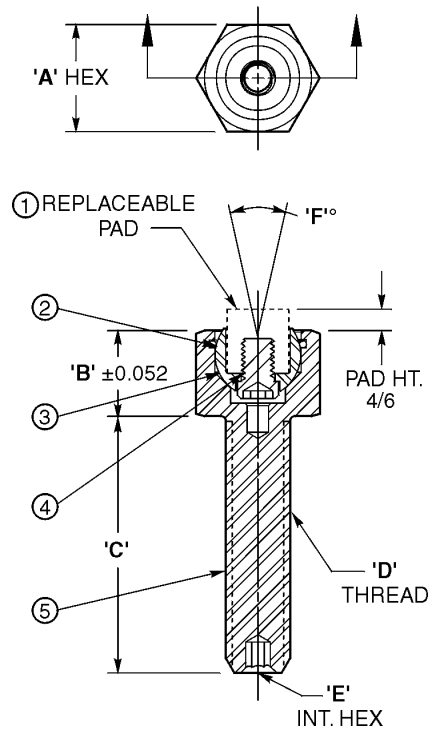


Metric Swivots – Hex Head Adjustable – Pad Style



HEX HEAD ADJUSTABLE DESIGN-REPLACEABLE PAD STYLE														
ASSEMBLIES								COMPONENTS						
CAD FILE NAME (see note below)	PART NUMBER	A HEX	B HEAD HT	C THD LENGTH	D THD SIZE	E INT HEX	F DEGREE SWIVEL	BALL DIA	1 REPLACE PAD DIA	2 O-RING	3 BALL	4 LOCK SCREW	5 HOUSING	LOAD RATING LBS
EMBUH10015	EMBUH-10015	17	13	15	M10 x 1.5	3.0	42	13	10	EMBUR-130	EMBUB-100	EMBUS-130	EMBUH-10015-H	4194
	EMBUH-10030	17	13	30	M10 x 1.5	3.0	42	13	10	EMBUR-130	EMBUB-100	EMBUS-130	EMBUH-10030-H	4194
	EMBUH-10050	17	13	50	M10 x 1.5	3.0	42	13	10	EMBUR-130	EMBUB-100	EMBUS-130	EMBUH-10050-H	4194
EMBUH12020	EMBUH-12020	19	15	20	M12 x 1.75	5.0	22	15	12	EMBUR-150	EMBUB-150	EMBUS-150	EMBUH-12020-H	6627
	EMBUH-12040	19	15	40	M12 x 1.75	5.0	22	15	12	EMBUR-150	EMBUB-150	EMBUS-150	EMBUH-12040-H	6627
	EMBUH-12060	19	15	60	M12 x 1.75	5.0	22	15	12	EMBUR-150	EMBUB-150	EMBUS-150	EMBUH-12060-H	6627
EMBUH16025	EMBUH-16025	24	19	25	M16 x 2.0	6.0	22	20	16	EMBUR-200	EMBUB-200	EMBUS-200	EMBUH-16025-H	11193
	EMBUH-16050	24	19	25	M16 x 2.0	6.0	22	20	16	EMBUR-200	EMBUB-200	EMBUS-200	EMBUH-16050-H	11193
	EMBUH-16080	24	19	25	M16 x 2.0	6.0	22	20	16	EMBUR-200	EMBUB-200	EMBUS-200	EMBUH-16080-H	11193
EMBUH20030	EMBUH-20030	30	20	30	M20 x 2.5	8.0	20	23	20	EMBUR-230	EMBUB-230	EMBUS-230	EMBUH-20030-H	19136
	EMBUH-20060	30	20	30	M20 x 2.5	8.0	20	23	20	EMBUR-230	EMBUB-230	EMBUS-230	EMBUH-20060-H	19136
	EMBUH-20100	30	20	30	M20 x 2.5	8.0	20	23	20	EMBUR-230	EMBUB-230	EMBUS-230	EMBUH-20100-H	19136
EMBUH24040	EMBUH-24040	36	26	40	M24 x 3.0	10.0	20	28	25	EMBUR-280	EMBUB-280	EMBUS-280	EMBUH-24040-H	27239
	EMBUH-24100	36	26	40	M24 x 3.0	10.0	20	28	25	EMBUR-280	EMBUB-280	EMBUS-280	EMBUH-24100-H	27239

*MUST PURCHASE REPLACEABLE PAD SEPARATELY (REFER TO PAGE E-60, E-61 OR E-67)