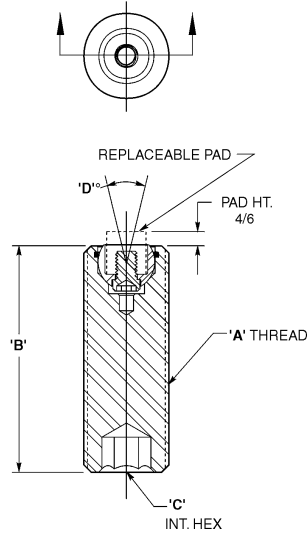
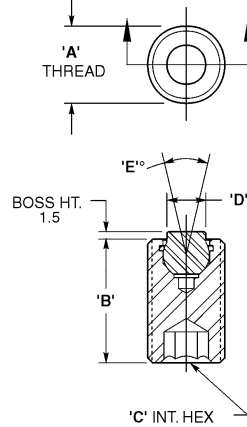


# Metric Swivots-Threaded Design



| REPLACEABLE PAD STYLE          |             |           |        |           |                 |          |                    |           |           |              |             |             |
|--------------------------------|-------------|-----------|--------|-----------|-----------------|----------|--------------------|-----------|-----------|--------------|-------------|-------------|
| ASSEMBLIES                     |             |           |        |           |                 |          | COMPONENTS         |           |           |              |             |             |
| CAD FILE NAME (see note below) | PART NUMBER | A THREAD  | B LGTH | C INT HEX | D DEGREE SWIVEL | BALL DIA | 1* REPLACE PAD DIA | 2 O-RING  | 3 BALL    | 4 LOCK SCREW | 5 HOUSING   | LOAD RATING |
| EMTBU20030                     | EMTBU-20030 | M20 x 2.5 | 30     | 10        | 42°             | 13       | 10                 | EMBUR-130 | EMBUB-130 | EMBUS-130    | EMTBU-20030 | 8379        |
|                                | EMTBU-20050 | M20 x 2.5 | 50     | 10        | 28°             | 13       | 10                 | EMBUR-150 | EMBUB-150 | EMBUS-150    | EMTBU-20050 | 8379        |
|                                | EMTBU-20070 | M20 x 2.5 | 70     | 8         | 28°             | 13       | 10                 | EMBUR-130 | EMBUB-130 | EMBUS-130    | EMTBU-20070 | 8379        |
| EMTBU24040                     | EMTBU-24040 | M24 x 3.0 | 40     | 10        | 22°             | 15       | 12                 | EMBUR-150 | EMBUB-150 | EMBUS-150    | EMTBU-24040 | 12233       |
|                                | EMTBU-24080 | M24 x 1.0 | 80     | 10        | 22°             | 15       | 12                 | EMBUR-150 | EMBUB-150 | EMBUS-150    | EMTBU-24040 | 12233       |

\*MUST PURCHASE REPLACEABLE PAD SEPARATELY (REFER TO PAGE E-60, E-61 OR E-67).



| REPLACEABLE BALL STYLE         |              |            |        |           |            |                 |            |                |           |               |                     |             |
|--------------------------------|--------------|------------|--------|-----------|------------|-----------------|------------|----------------|-----------|---------------|---------------------|-------------|
| ASSEMBLIES                     |              |            |        |           |            |                 | COMPONENTS |                |           |               |                     |             |
| CAD FILE NAME (see note below) | PART NUMBER  | A THREAD   | B LGTH | C INT HEX | D BOSS DIA | E DEGREE SWIVEL | BALL DIA   | 1 BALL         | 2 O-RING  | 3 HOUSING     | AVAIL TOOTH PATTERN | LOAD RATING |
| EMTBU12025F or EMTBU12025S     | EMTBU-12025* | M12 x 1.75 | 25     | 6         | 6          | 28°             | 7          | EMBUB-070-(* ) | EMBUR-070 | EMTBU-12025-H | SF                  | 3440        |
|                                | EMTBU-12035* | M12 x 1.75 | 35     | 6         | 6          | 28°             | 7          | EMBUB-070-(* ) | EMBUR-070 | EMTBU-12035-H | SF                  | 3440        |
|                                | EMTBU-12050* | M12 x 1.75 | 50     | 6         | 6          | 28°             | 7          | EMBUB-070-(* ) | EMBUR-070 | EMTBU-12050-H | SF                  | 3440        |
| EMTBU16025F or EMTBU16025S     | EMTBU-16025* | M16 x 2.0  | 25     | 8         | 8.5        | 24°             | 10         | EMBUB-100-(* ) | EMBUR-100 | EMTBU-16025-H | EF/SF               | 5190        |
|                                | EMTBU-16035* | M16 x 2.0  | 35     | 8         | 8.5        | 24°             | 10         | EMBUB-100-(* ) | EMBUR-100 | EMTBU-16035-H | EF/SF               | 5190        |
|                                | EMTBU-16050  | M16 x 2.0  | 50     | 8         | 8.5        | 24°             | 10         | EMBUB-100-(* ) | EMBUR-100 | EMTBU-16050-H | EF/SF               | 5190        |
| EMTBU20030F or EMTBU20030S     | EMTBU-20030  | M20 x 2.5  | 25     | 10        | 10         | 42°             | 13         | EMBUB-130-(* ) | EMBUR-130 | EMTBU-20030-H | EF/SF               | 8379        |
|                                | EMTBU-20050  | M20 x 2.5  | 35     | 10        | 10         | 42°             | 13         | EMBUB-130-(* ) | EMBUR-130 | EMTBU-20050-H | EF/SF               | 8379        |
|                                | EMTBU-20070  | M20 x 2.5  | 50     | 8         | 10         | 42°             | 13         | EMBUB-130-(* ) | EMBUR-130 | EMTBU-20070-H | EF/SF               | 8379        |

\*MUST PURCHASE REPLACEABLE PAD SEPARATELY (REFER TO PAGE E-60, E-61 OR E-67).

## CAD Directory

Mach-Tool\Met-Gripper

All dimensions are in mm

**Note:** The shortest standard component is given, you may "stretch" the unit to the desired length.