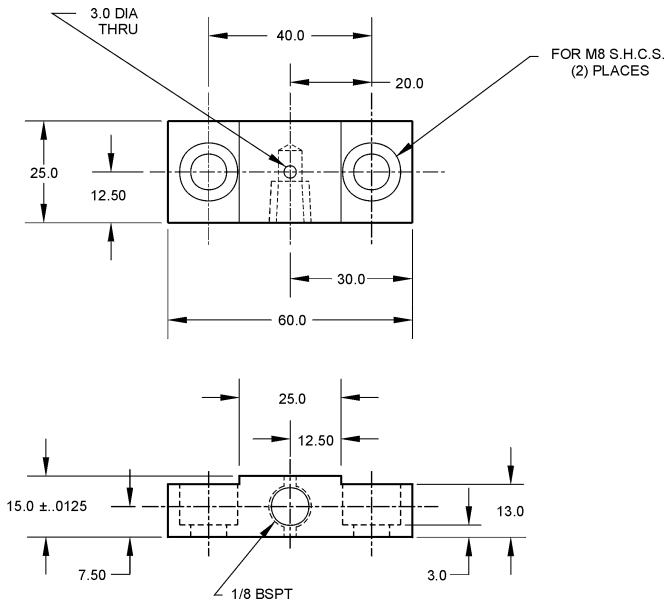


# Metric Rest Pads

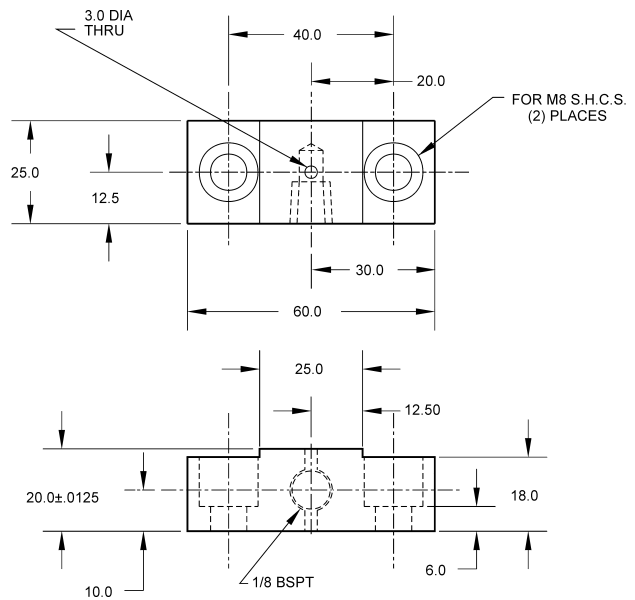
**CAD File Name EHM001**

**Part No. EHM008, W/O AIR, EHM001 W/AIR**



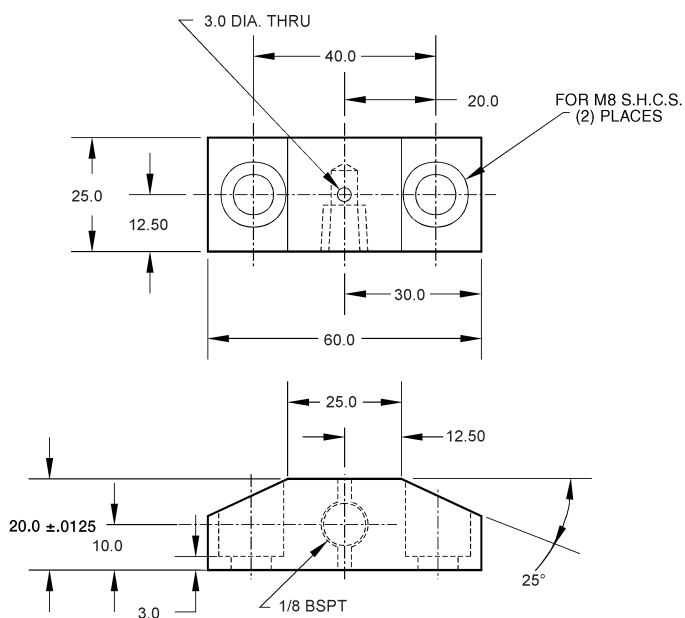
**CAD File Name EHM002**

**Part No. EHM021, W/O AIR, EHM002 W/AIR**



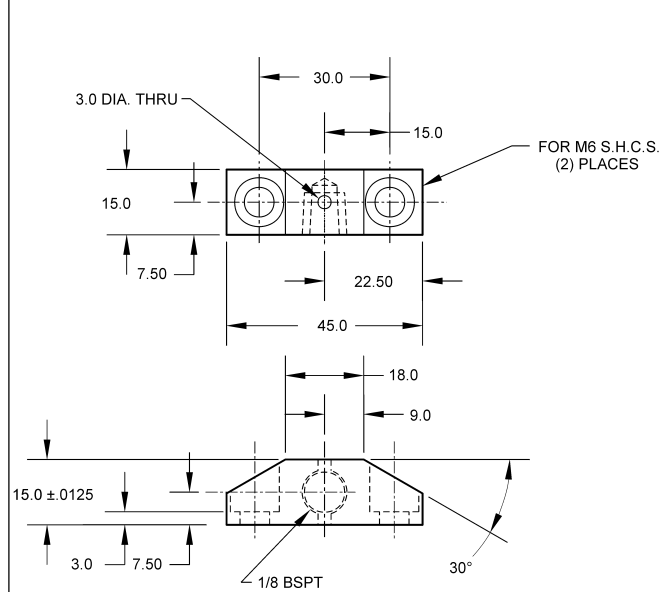
**CAD File Name EHM035**

**Part No. EHM042, W/O AIR, EHM035 W/AIR**



**CAD File Name EHM040**

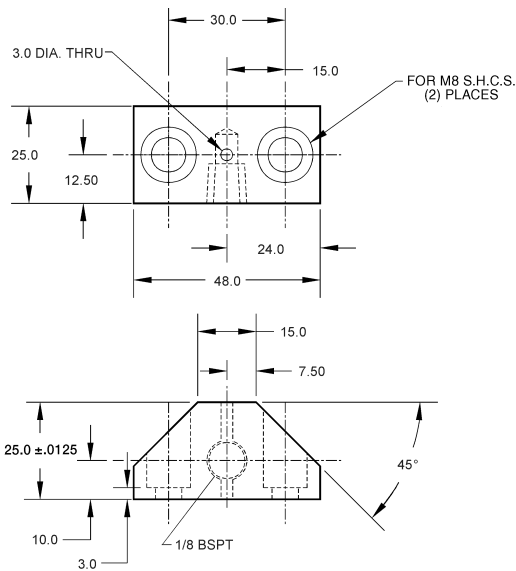
**Part No. EHM015, W/O AIR, EHM040 W/AIR**



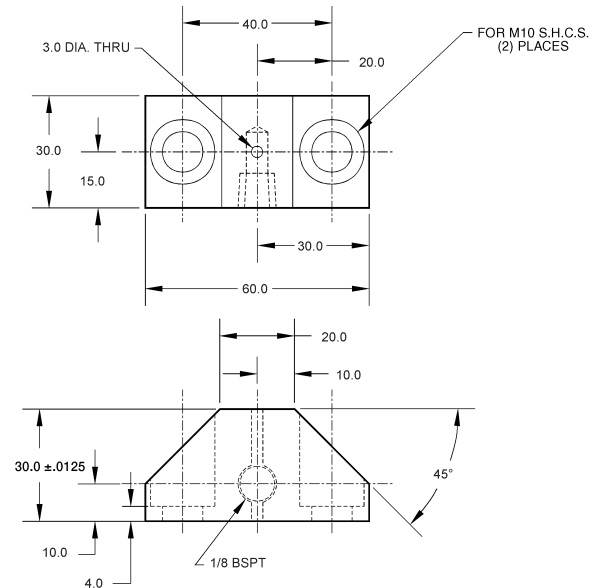
# Metric Rest Pads



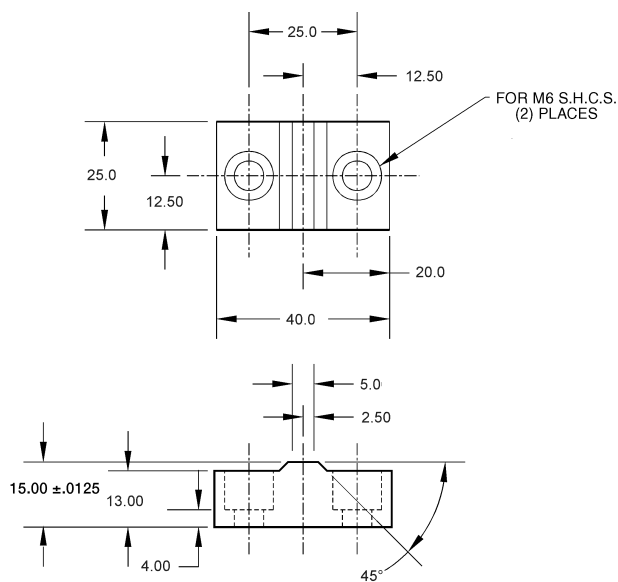
**CAD File Name EHM032**  
**Part No. EHM032, W/AIR, EHM043 W/O AIR**



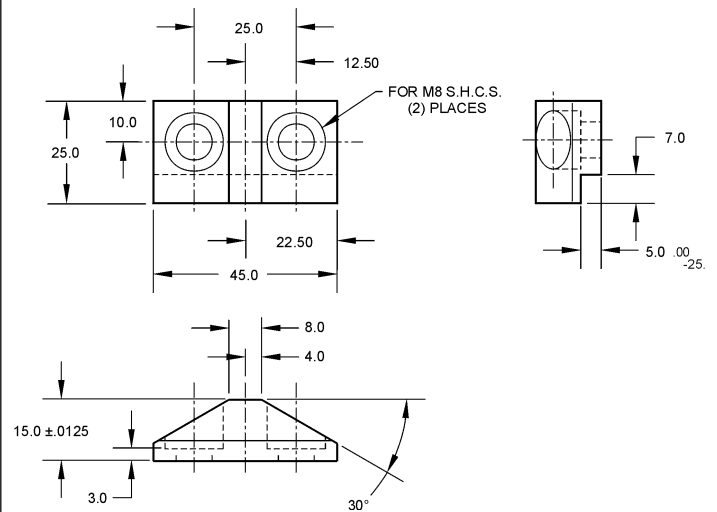
**CAD File Name EHM033**  
**Part No. EHM033, W/AIR, EHM044 W/O AIR**



**CAD File Name EHM034**  
**Part No. EHM034**



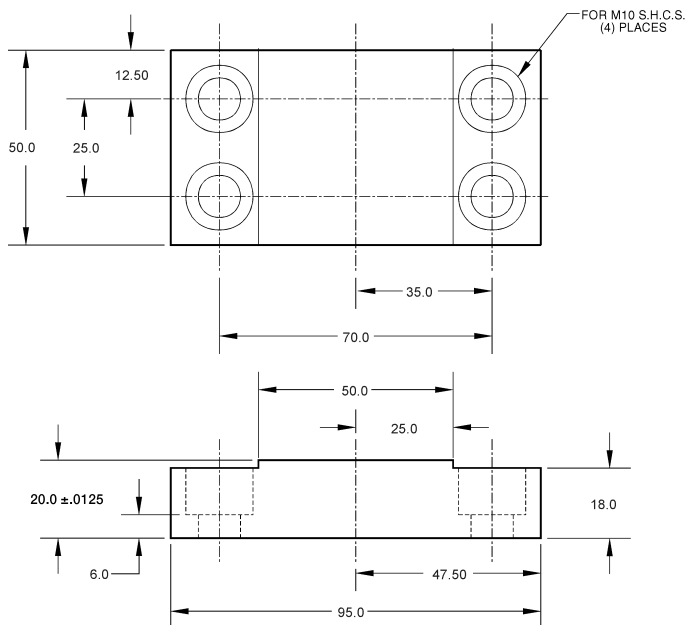
**CAD File Name EHM036**  
**Part No. EHM036**



# Metric Rest Pads

**CAD File Name EHM022**

**Part No. EHM022**



**CAD File Name EHM041**

**Part No. EHM041**

