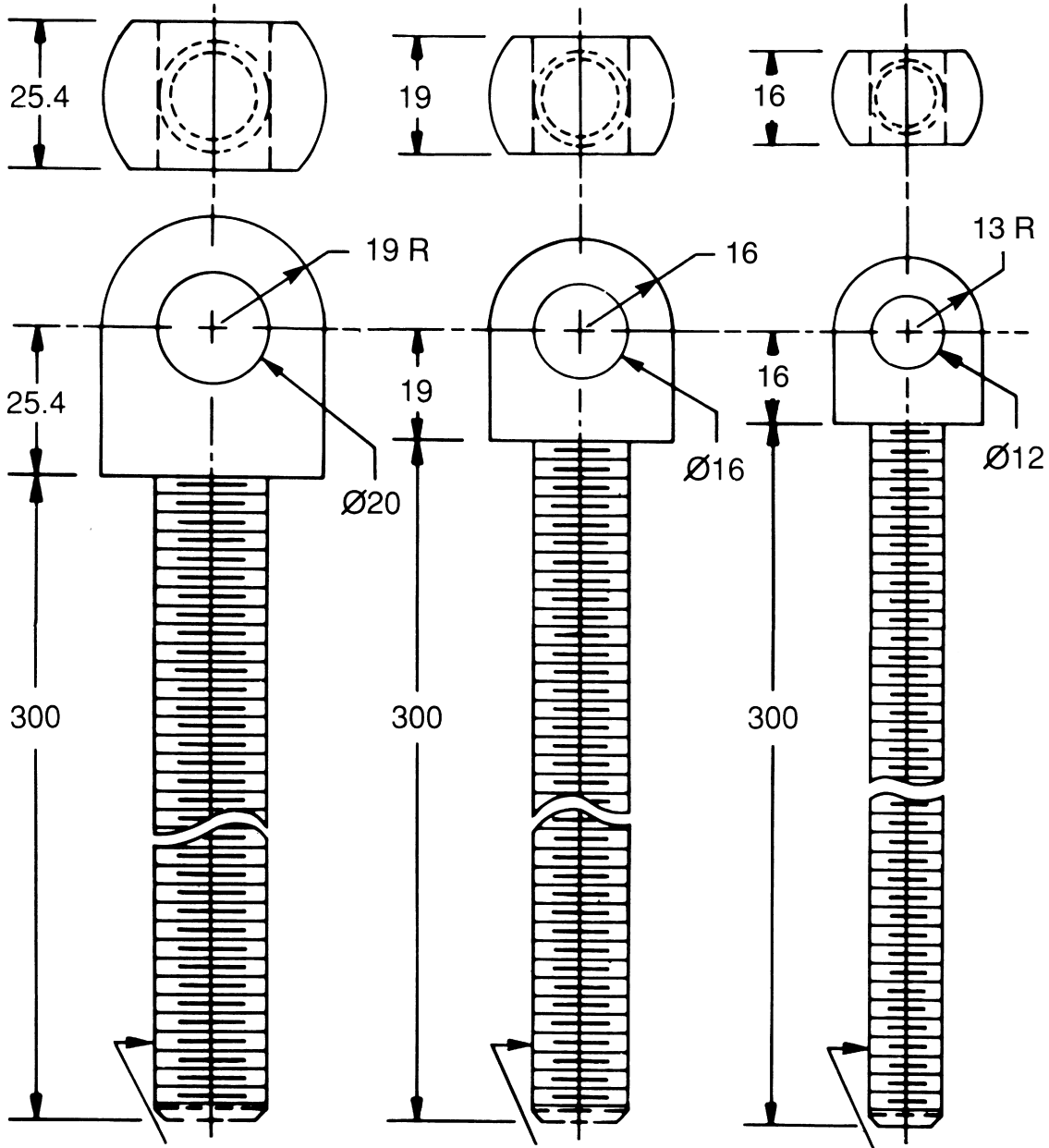


# Metric Swing Bolts

*Cad File Name EM620*  
*Part Number EM620*

*Cad File Name EM616*  
*Part Number EM616*

*Cad File Name EM612*  
*Part Number EM612*



**M20 x 2.5 THD.**

**M16 x 2.0 THD.**

**M12 x 1.75 THD.**