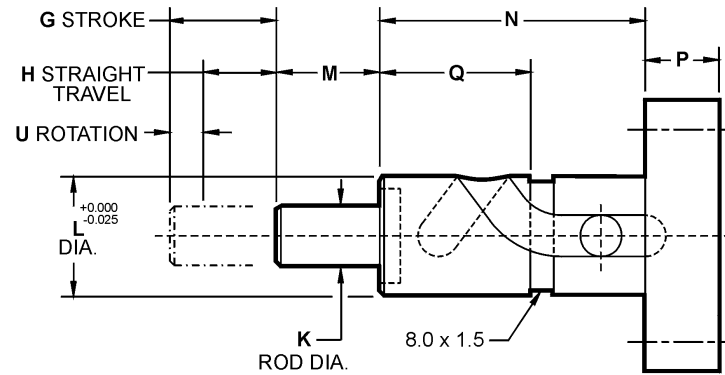
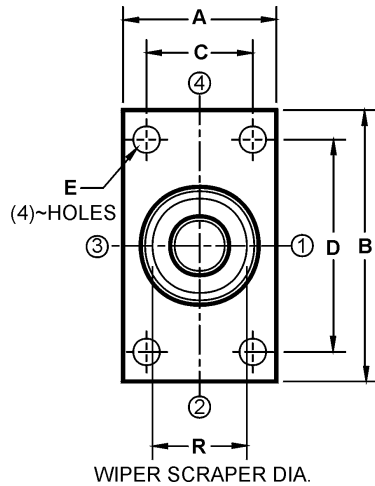


# Metric Non - Powered Rota - Shaft Clamps for I.S.O. Flange Mount Cylinder Linear/Rotary

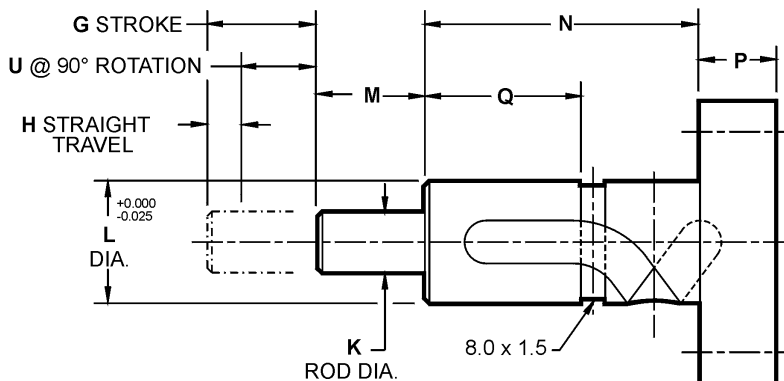
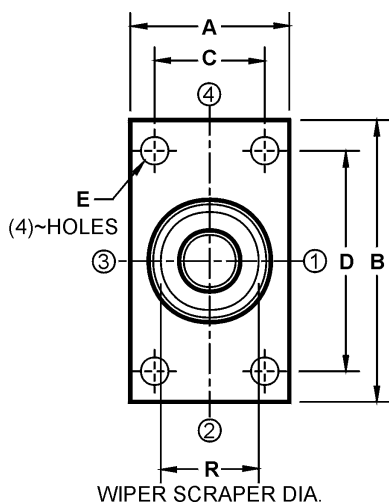


RIGHT HAND ROTATION SHOWN,  
LEFT HAND ALSO STANDARD.

CAD FILE NAME	PART NUMBER	CYLINDER BORE	DIMENSIONS																
			A	B	C	D	E	G	H	K	L	M	N	P	Q	R	S	T	U (*SEE NOTE)
EM2040AT	EPM2040A-R/L	40 AIR	52.0	92.0	36.0	72.0	9.0	25.0 - 55.0	15.0	20.0	39.975	35.0	90.0	25.0	51.0	32.0	40.0	M10 x 1.25	10°-180°
EM2550AT	EPM2550A-R/L	50 AIR	63.5	113.0	45.0	90.0	9.0	20.0 - 60.0	10.0	25.0	44.975	35.0	100.0	30.0	56.0	37.0	45.0	M14 x 1.50	10°-180°
EM2563AT	EPM2563A-R/L	63 AIR	76.0	129.0	54.0	100.0	9.0	20.0 - 60.0	10.0	25.0	44.975	35.0	100.0	30.0	56.0	37.0	45.0	M14 x 1.50	10°-180°
EM3080AT	EPM3080A-R/L	80 AIR	95.5	153.0	63.0	126.0	12.0	25.0 - 80.0	15.0	30.0	49.975	50.0	135.0	35.0	71.0	42.0	70.0	M18 x 1.50	15°-180°
EM3010AT	EPM3010A-R/L	100 AIR	114.5	186.0	75.0	150.0	14.0	25.0 - 80.0	15.0	30.0	49.975	50.0	135.0	35.0	71.0	42.0	75.0	M18 x 1.50	15°-180°
EM2040HT	EPM2040H-R/L	40 HYD	63.0	110.0	41.0	87.0	11.0	25.0 - 55.0	15.0	20.0	39.975	35.0	85.0	35.0	51.0	32.0	45.0	M12 x 1.25	10°-180°
EM2550HT	EPM2550H-R/L	50 HYD	75.0	130.0	52.0	105.0	13.0	25.0 - 65.0	15.0	25.0	44.975	35.0	95.0	35.0	56.0	37.0	45.0	M16 x 1.50	10°-180°
EM3063HT	EPM3063H-R/L	63 HYD	90.0	150.0	65.0	125.0	13.0	25.0 - 80.0	15.0	30.0	49.975	50.0	137.0	35.0	71.0	42.0	72.0	M20 x 1.50	15°-180°

\*NOTE: FOR ROTATION & TRAVEL INFO. SEE A SIMILAR UNIT WITH CYLINDER

# Metric Non - Powered Rota - Shaft Clamps for I.S.O. Flange Mount Cylinder Rotary/Linear



RIGHT HAND ROTATION SHOWN,  
LEFT HAND ALSO STANDARD.

Metric

CAD FILE NAME	PART NUMBER	CYLINDER BORE	DIMENSIONS																
			A	B	C	D	E	G	H (*SEE NOTE)	K	L	M	N	P	Q	R	S	T	U
EM0240AT	EPM0240A-R/L	40 AIR	52.0	92.0	36.0	72.0	9.0	30.0 - 55.0	5.0 - 30.0	20.0	39.975	35.0	90.0	25.0	51.0	32.0	40.0	M10 x 1.25	25.0
EM5250AT	EPM5250A-R/L	50 AIR	63.5	113.0	45.0	90.0	9.0	35.0 - 60.0	5.0 - 30.0	25.0	44.975	35.0	100.0	30.0	56.0	37.0	45.0	M14 x 1.50	30.0
EM5263AT	EPM5263A-R/L	63 AIR	76.0	129.0	50.0	100.0	9.0	35.0 - 60.0	5.0 - 30.0	25.0	44.975	35.0	100.0	30.0	56.0	37.0	45.0	M14 x 1.50	30.0
EM0380AT	EPM0380A-R/L	80 AIR	95.5	153.0	63.0	126.0	12.0	40.0 - 50.0	5.0 - 15.0	30.0	49.975	50.0	135.0	35.0	71.0	42.0	70.0	M18 x 1.50	35.0
EM0310AT	EPM03100A-R/L	100 AIR	114.5	186.0	75.0	150.0	14.0	40.0 - 50.0	5.0 - 15.0	30.0	49.975	50.0	135.0	35.0	71.0	42.0	75.0	M18 x 1.50	35.0
EM0240HT	EPM0240H-R/L	40 HYD	63.0	110.0	41.0	87.0	11.0	30.0 - 55.0	5.0 - 30.0	20.0	39.975	35.0	85.0	35.0	51.0	32.0	25.0	M12 x 1.25	25.0
EM5250HT	EPM5250H-R/L	50 HYD	75.0	130.0	52.0	105.0	13.0	35.0 - 60.0	5.0 - 30.0	25.0	44.975	40.0	95.0	35.0	56.0	37.0	30.0	M16 x 1.50	30.0
EM0363HT	EPM0363H-R/L	63 HYD	90.0	150.0	65.0	125.0	13.0	40.0 - 65.0	5.0 - 30.0	30.0	49.975	50.0	137.0	35.0	71.0	42.0	35.0	M20 x 1.50	35.0

\*NOTE: FOR ROTATION & TRAVEL INFO. SEE A SIMILAR UNIT WITH CYLINDER

