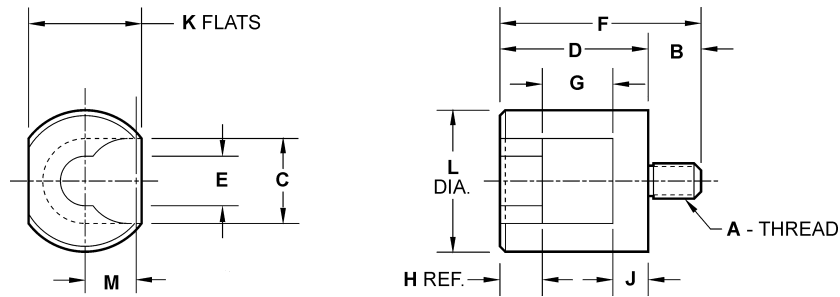


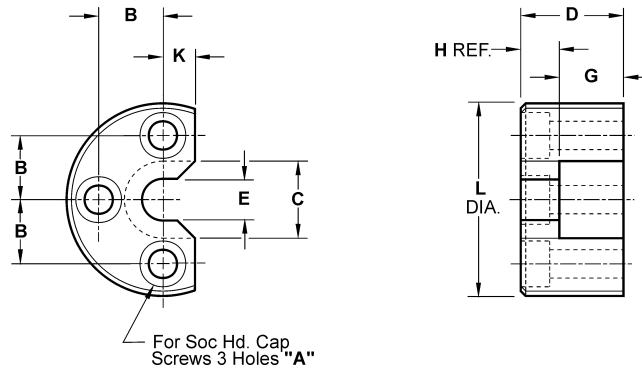
# Metric Adapters

## Thread Mount



CAD FILE NUMBER	PART NUMBER	MOUNT STYLE	A	B	C	D	E	F	G	H	J	K	L	M
EHM151	EHM-151A	THREAD	M10 x 1.25	15.0	24.0	42.0	14.0	57.0	20.0	12.0	10.0	32.0	40.0	17.0
EHM151	EHM-151	THREAD	M10 x 1.5	15.0	24.0	42.0	14.0	57.0	20.0	12.0	10.0	32.0	40.0	12.0
EHM151B	EHM-151B	THREAD	M12 x 1.25	18.0	24.0	42.0	14.0	60.0	20.0	12.0	10.0	32.0	40.0	12.0
EHM152C	EHM-152C	THREAD	M14 x 1.5	20.0	35.0	55.0	22.0	75.0	25.0	20.0	10.0	45.0	50.0	17.0
EHM152A	EHM-152A	THREAD	M16 x 1.5	20.0	35.0	55.0	22.0	75.0	25.0	20.0	10.0	45.0	50.0	17.0
EHM152B	EHM-152B	THREAD	M18 x 1.5	25.0	35.0	55.0	22.0	80.0	25.0	20.0	10.0	45.0	50.0	17.0
EHM152	EHM-152	THREAD	M20 x 1.5	25.0	35.0	55.0	22.0	80.0	25.0	20.0	10.0	45.0	50.0	17.0
EHM153A	EHM-153A	THREAD	M24 x 2	35.0	42.0	60.0	27.0	95.0	30.0	20.0	10.0	60.0	70.0	20.0
EHM153	EHM-153	THREAD	M27 x 2	35.0	42.0	60.0	27.0	95.0	30.0	20.0	10.0	60.0	70.0	20.0
EHM174A	EHM-174A	THREAD	M30 x 2	40.0	57.0	80.0	37.0	120.0	30.0	30.0	20.0	80.0	100.0	28.5
EHM174	EHM-174	THREAD	M33 x 2	45.0	57.0	80.0	37.0	125.0	30.0	30.0	20.0	80.0	100.0	28.5
EHM176	EHM-176	THREAD	M42 x 2	55.0	65.0	90.0	47.0	145.0	35.0	30.0	25.0	90.0	115.0	32.0
EHM178	EHM-178	THREAD	M48 x 2	60.0	72.0	95.0	52.0	155.0	40.0	30.0	25.0	100.0	125.0	35.0

## Screw Mount



CAD FILE NUMBER	PART NUMBER	MOUNT STYLE	A	B	C	D	E	G	H	K	L
EHM148	EHM-148	SCREW	M8	20.0	24.0	32.0	14.0	20.0	12.0	10.0	60.0
EHM149	EHM-149	SCREW	M10	25.0	35.0	45.0	22.0	25.0	20.0	12.0	75.0
EHM150	EHM-150	SCREW	M12	30.0	42.0	50.0	27.0	30.0	20.0	15.0	90.0
EHM173	EHM-173	SCREW	M14	40.0	57.0	60.0	37.0	30.0	30.0	20.0	120.0
EHM175	EHM-175	SCREW	M20	50.0	65.0	65.0	47.0	35.0	30.0	20.0	150.0
EHM177	EHM-177	SCREW	M24	55.0	72.0	70.0	52.0	40.0	30.0	25.0	160.0