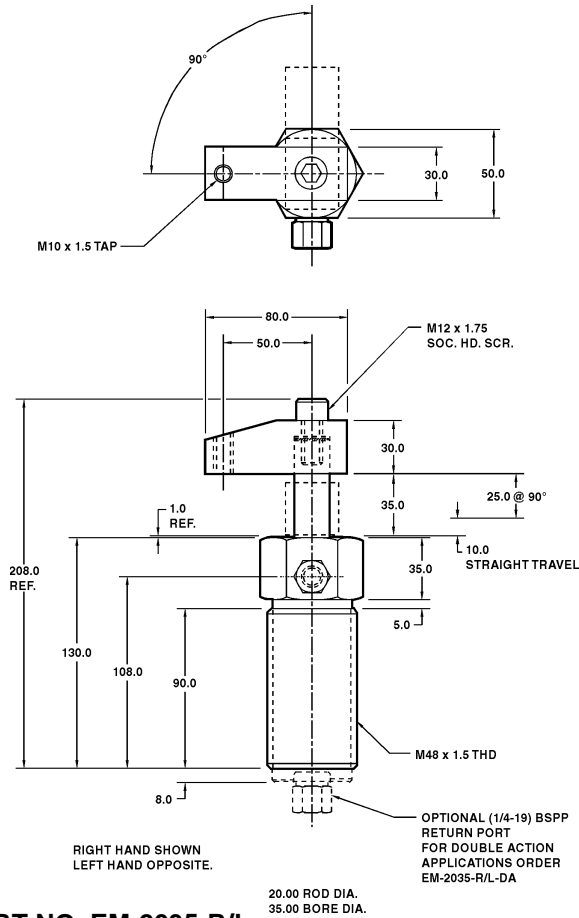


Metric Threaded Body Rota-Shaft for Hydraulic Applications

CAD File Name = EM2035SA
PART No. EM-2035-R/L - (SINGLE ACTING)

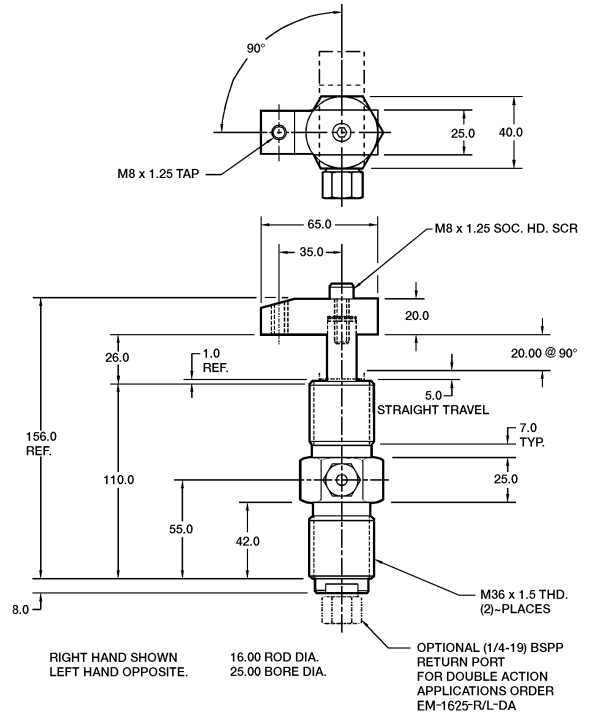
CAD File Name = EM2035DA
PART No. EM-2035-R/L-DA - (DOUBLE ACTING)



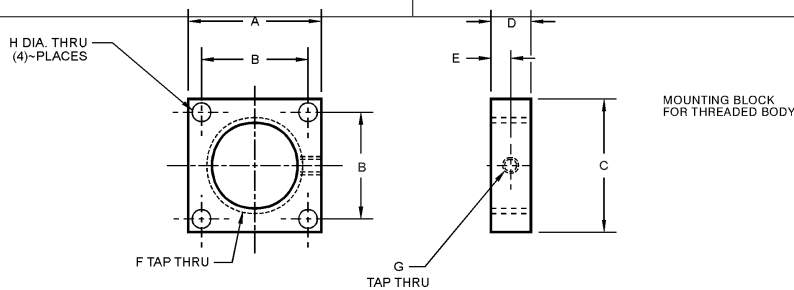
PART NO. EM-2035-R/L
MAXIMUM OPERATING
PRESSURE = 124 bars

CAD File Name = EM1625SA
PART No. EM-1625-R/L - (SINGLE ACTING)

CAD File Name = EM1625DA
PART No. EM-1625-R/L-DA - (DOUBLE ACTING)



PART NO. EM-1625-R/L
MAXIMUM OPERATING
PRESSURE = 144 bars



CAD FILE NAME	PART NUMBER	DIMENSIONS							
		A	B	C	D	E	F	G	H
EM1625MT	EM-1625-MT	50.0	40.0	50.0	15.0	7.5	M36 x 1.5	M6 x 1.0	7.0
EM2035MT	EM-2035-MT	70.0	55.0	70.0	25.0	12.5	M48 x 1.5	M8 x 1.25	9.0