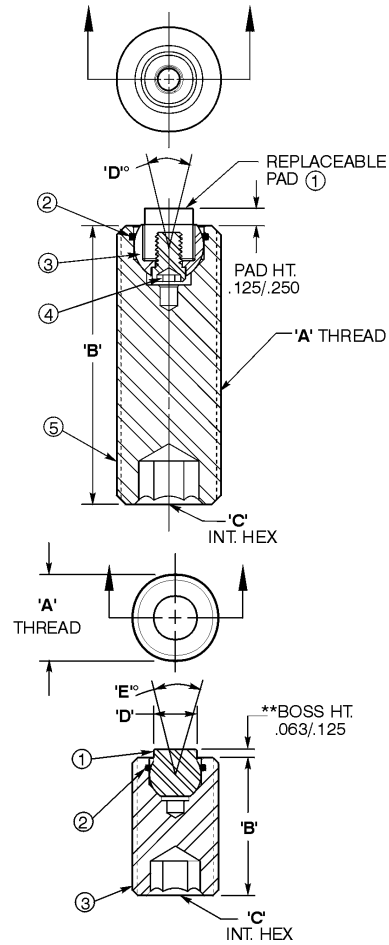


# Swivots-Threaded Designs

| REPLACEABLE PAD STYLE |             |          |          |           |                 |          |
|-----------------------|-------------|----------|----------|-----------|-----------------|----------|
| ASSEMBLIES            |             |          |          |           |                 |          |
| CAD FILE NAME         | PART NUMBER | A THREAD | B LENGTH | C INT HEX | D DEGREE SWIVEL | BALL DIA |
| ETBU0750              | EBU-0750    | 3/4-16   | 1        | 3/8       | 22°             | 1/2      |
|                       | EBU-0750x2  | 3/4-16   | 2        | 3/8       | 22°             | 1/2      |
|                       | EBU-0750x3  | 3/4-16   | 3        | 3/8       | 22°             | 1/2      |
|                       | EBU-0755    | 3/4-10   | 1        | 3/8       | 22°             | 1/2      |
|                       | EBU-0755x2  | 3/4-10   | 2        | 3/8       | 22°             | 1/2      |
|                       | EBU-0755x3  | 3/4-10   | 3        | 3/8       | 22°             | 1/2      |



| COMPONENTS         |          |          |              |               |             |
|--------------------|----------|----------|--------------|---------------|-------------|
| 1" REPLACE PAD DIA | 2 O-RING | 3 BSLL   | 4 LOCK SCREW | 5 HOUSING     | LOAD RATING |
| 3/8                | EBUR-500 | EBUB-500 | EBUS-500     | ETBU-0750-H   | 8150        |
| 3/8                | EBUR-500 | EBUB-500 | EBUS-500     | ETBU-0750x2-H | 8150        |
| 3/8                | EBUR-500 | EBUB-500 | EBUS-500     | ETBU-0750x2-H | 8150        |
| 3/8                | EBUR-500 | EBUB-500 | EBUS-500     | ETBU-0755-H   | 8150        |
| 3/8                | EBUR-500 | EBUB-500 | EBUS-500     | ETBU-0755x2-H | 8150        |
| 3/8                | EBUR-500 | EBUB-500 | EBUS-500     | ETBU-0755x3-H | 8150        |
| 5/8                | EBUR-700 | EBUB-700 | EBUS-700     | ETBU-1114x2-H | 17210       |
| 5/8                | EBUR-700 | EBUB-700 | EBUS-700     | ETBU-1114x3-H | 17210       |
| 1/2                | EBUR-600 | EBUB-600 | EBUS-600     | ETBU-1108x2-H | 14757       |
| 1/2                | EBUR-600 | EBUB-600 | EBUS-600     | ETBU-1108x3-H | 14757       |

\*MUST PURCHASE REPLACEABLE PAD SEPARATELY (REFER TO PAGE D-42, D-45, D-46 OR D-55).

| REPLACEABLE BALL STYLE |                     |          |          |           |             |                 |                 |                 |               |               |                     |             |
|------------------------|---------------------|----------|----------|-----------|-------------|-----------------|-----------------|-----------------|---------------|---------------|---------------------|-------------|
| ASSEMBLIES             |                     |          |          |           |             |                 | COMPONENTS      |                 |               |               |                     |             |
| CAD FILE NAME          | PART NUMBER         | A THREAD | B LENGTH | C INT HEX | D BOSS DIA. | E DEGREE SWIVEL | BALL DIA        | 1 BALL          | 2 O-RING      | 3 HOUSING     | AVAIL TOOTH PATTERN | LOAD RATING |
| ETBU0230F or ETBU0230S | ETBU-0230-(*)-**    | 3/8-24   | 1/2      | 3/16      | 5/32        | 28°             | 3/16            | EBUB-100-(*)-** | EBUR-100      | ETBU-0230-H   | SF                  | 1763        |
|                        | ETBU-0231-(*)-**    | 3/8-24   | 1        | 3/16      | 5/32        | 28°             | 3/16            | EBUB-100-(*)-** | EBUR-100      | ETBU-0231-H   | SF                  | 1763        |
|                        | ETBU-0231x2-(*)-**  | 3/8-24   | 2        | 3/16      | 5/32        | 28°             | 3/16            | EBUB-100-(*)-** | EBUR-100      | ETBU-0231x2-H | SF                  | 1763        |
|                        | ETBU-0231x3-(*)-**  | 3/8-24   | 3        | 3/16      | 5/32        | 28°             | 3/16            | EBUB-100-(*)-** | EBUR-100      | ETBU-0231x3-H | SF                  | 1763        |
|                        | ETBU-0370-(*)-**    | 3/8-16   | 1/2      | 3/16      | 5/32        | 28°             | 3/16            | EBUB-100-(*)-** | EBUR-100      | ETBU-0370-H   | SF                  | 1763        |
|                        | ETBU-0375-(*)-**    | 3/8-16   | 1        | 3/16      | 5/32        | 28°             | 3/16            | EBUB-100-(*)-** | EBUR-100      | ETBU-0375-H   | SF                  | 1763        |
|                        | ETBU-0375x2-(*)-**  | 3/8-16   | 2        | 3/16      | 5/32        | 28°             | 3/16            | EBUB-100-(*)-** | EBUR-100      | ETBU-0375x2-H | SF                  | 1763        |
| ETBU-0375x3-(*)-**     | 3/8-16              | 3        | 3/16     | 5/32      | 28°         | 3/16            | EBUB-100-(*)-** | EBUR-100        | ETBU-0375x3-H | SF            | 1763                |             |
| ETBU0503F or ETBU0503S | ETBU-0503-(*)-**    | 1/2-20   | 3/4      | 1/4       | 1/4         | 26°             | 9/32            | EBUB-200-(*)-** | EBUR-200      | ETBU-0503-H   | EF/SF               | 4527        |
|                        | ETBU-0500-(*)-**    | 1/2-20   | 1        | 1/4       | 1/4         | 26°             | 9/32            | EBUB-200-(*)-** | EBUR-200      | ETBU-0500-H   | EF/SF               | 4527        |
|                        | ETBU-0500-x2-(*)-** | 1/2-20   | 2        | 1/4       | 1/4         | 26°             | 9/32            | EBUB-200-(*)-** | EBUR-200      | ETBU-0500x2-H | EF/SF               | 4527        |
|                        | ETBU-0500-x3-(*)-** | 1/2-20   | 3        | 1/4       | 1/4         | 26°             | 9/32            | EBUB-200-(*)-** | EBUR-200      | ETBU-0500x3-H | EF/SF               | 4527        |
|                        | ETBU-0513-(*)-**    | 1/2-13   | 3/4      | 1/4       | 1/4         | 26°             | 9/32            | EBUB-200-(*)-** | EBUR-200      | ETBU-0513-H   | EF/SF               | 4527        |
|                        | ETBU-0510-(*)-**    | 1/2-13   | 1        | 1/4       | 1/4         | 26°             | 9/32            | EBUB-200-(*)-** | EBUR-200      | ETBU-0510-H   | EF/SF               | 4527        |
|                        | ETBU-0510-x2-(*)-** | 1/2-13   | 2        | 1/4       | 1/4         | 26°             | 9/32            | EBUB-200-(*)-** | EBUR-200      | ETBU-0510x2-H | EF/SF               | 4527        |
| ETBU-0510-x3-(*)-**    | 1/2-13              | 3        | 1/4      | 1/4       | 26°         | 9/32            | EBUB-200-(*)-** | EBUR-200        | ETBU-0510x3-H | EF/SF         | 4527                |             |
| ETBU0620F or ETBU0620S | ETBU-0620-(*)-**    | 5/8-18   | 1        | 5/16      | 5/16        | 28°             | 3/8             | EBUB-300-(*)-** | EBUR-300      | ETBU-0620-H   | EF/SF               | 6131        |
|                        | ETBU-0620-x2-(*)-** | 5/8-18   | 2        | 5/16      | 5/16        | 28°             | 3/8             | EBUB-300-(*)-** | EBUR-300      | ETBU-0620x2-H | EF/SF               | 6131        |
|                        | ETBU-0620-x3-(*)-** | 5/8-18   | 3        | 5/16      | 5/16        | 28°             | 3/8             | EBUB-300-(*)-** | EBUR-300      | ETBU-0620x3-H | EF/SF               | 6131        |
|                        | ETBU-0625-(*)-**    | 5/8-11   | 1        | 5/16      | 5/16        | 28°             | 3/8             | EBUB-300-(*)-** | EBUR-300      | ETBU-0625-H   | EF/SF               | 6131        |
|                        | ETBU-0625-x2-(*)-** | 5/8-11   | 2        | 5/16      | 5/16        | 28°             | 3/8             | EBUB-300-(*)-** | EBUR-300      | ETBU-0625x2-H | EF/SF               | 6131        |
|                        | ETBU-0625-x3-(*)-** | 5/8-11   | 3        | 5/16      | 5/16        | 28°             | 3/8             | EBUB-300-(*)-** | EBUR-300      | ETBU-0625x3-H | EF/SF               | 6131        |
| ETBU0750F or ETBU0750S | ETBU-0750-(*)-**    | 3/4-16   | 1        | 3/8       | 3/8         | 22°             | 1/2             | EBUB-500-(*)-** | EBUR-500      | ETBU-0750-H   | EF/SF               | 8150        |
|                        | ETBU-0750x2-(*)-**  | 3/4-16   | 2        | 3/8       | 3/8         | 22°             | 1/2             | EBUB-500-(*)-** | EBUR-500      | ETBU-0750x2-H | EF/SF               | 8150        |
|                        | ETBU-0750x3-(*)-**  | 3/4-16   | 3        | 3/8       | 3/8         | 22°             | 1/2             | EBUB-500-(*)-** | EBUR-500      | ETBU-0750x3-H | EF/SF               | 8150        |
|                        | ETBU-0755-(*)-**    | 3/4-10   | 1        | 3/8       | 3/8         | 22°             | 1/2             | EBUB-500-(*)-** | EBUR-500      | ETBU-0755-H   | EF/SF               | 8150        |
|                        | ETBU-0755x2-(*)-**  | 3/4-10   | 2        | 3/8       | 3/8         | 22°             | 1/2             | EBUB-500-(*)-** | EBUR-500      | ETBU-0755x2-H | EF/SF               | 8150        |
|                        | ETBU-0755x3-(*)-**  | 3/4-10   | 3        | 3/8       | 3/8         | 22°             | 1/2             | EBUB-500-(*)-** | EBUR-500      | ETBU-0755x3-H | EF/SF               | 8150        |

(\*)Must specify style of ball for assemblies or replacement balls by indicating "S" for Serrated, "SF" for Super Fine Serrations, "F" for Flat or "D" for Delrin.

## CAD Directory

Mach-Tool/Grippers

Note: The shortest standard components is given, you may "stretch" the unit to the desired length.