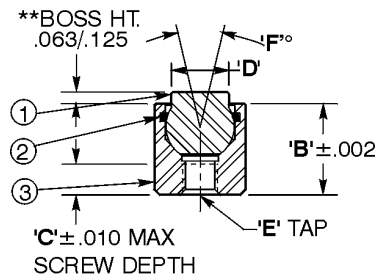
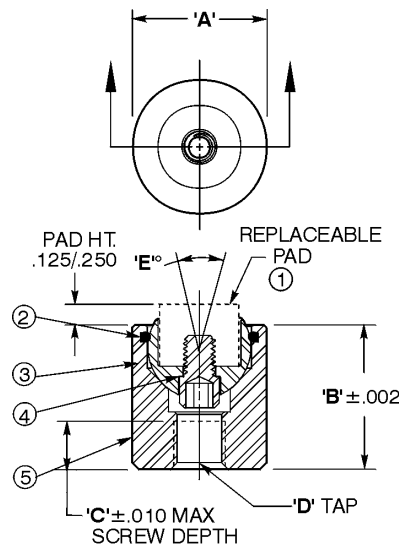


# Swivots-Base Design



REPLACEABLE BALL STYLE													
ASSEMBLIES									COMPONENTS				
CAD FILE NAME	PART NUMBER	A DIA	B HEIGHT	C	D BOSS DIA	E TAP	F DEGREE SWIVEL	BALL DIA	1 BALL	2 O-RING	3 HOUSING	AVAIL TOOTH PATTERN	LOADHO RATING
EBBU100F or EBBU100S	EBBU-100-(*)-**	3/8	5/16	1/4	5/32	#4-40	28'	3/16	EBUB-100-(*)-**	EBBR-100	EBBU-100-H	SF	1835
	EBBU-105-(*)-**	3/8	7/16	5/16	5/32	#4-40	28'	3/16	EBUB-100-(*)-**	EBBR-100	EBBU-105-H	SF	1835
	EBBU-107-(*)-**	3/8	11/16	5/16	5/32	#4-40	28'	3/16	EBUB-100-(*)-**	EBBR-100	EBBU-107-H	SF	1835
EBBU200F or EBBU200S	EBBU-200-(*)-**	7/16	3/8	5/32	1/4	#8-32	28'	9/32	EBUB-200-(*)-**	EBBR-200	EBBU-200-H	EF/SF	3339
	EBBU-201-(*)-**	7/16	15/16	1/2	1/4	#8-32	28'	9/32	EBUB-201-(*)-**	EBBR-200	EBBU-201-H	EF/SF	3339
EBBU300F or EBBU300S	EBBU-300-(*)-**	1/2	1/2	5/32	5/16	#10-32	28'	3/8	EBUB-300-(*)-**	EBBR-300	EBBU-300-H	EF/SF	4697
	EBBU-301-(*)-**	1/2	1	5/8	5/16	#10-32	28'	3/8	EBUB-300-(*)-**	EBBR-300	EBBU-301-H	EF/SF	4697
EBBU500F or EBBU500S	EBBU-500-(*)-**	5/8	3/4	1/4	1/2	1/4-28	22'	1/2	EBUB-500-(*)-**	EBBR-500	EBBU-500-H	EF/SF	5849

\*MUST SPECIFY STYLE OF BALL BY INDICATING "S" FOR SERRATED, "SF" FOR SUPER FINE SERRATIONS, "F" FOR FLAT OF "D" FOR DELRIN.  
 \*\*SPECIFY "T" FOR "TALL" HEIGHT OPTIONS. LEAVE BLANK FOR STANDARD HEIGHT.



REPLACEABLE PAD STYLE													
ASSEMBLIES								COMPONENTS					
CAD FILE NAME	PART NUMBER	A DIA	B HEIGHT	C	D TAP	E DEGREE SWIVEL	F BALL DIA	1* REPLACE PAD DIA	2 O-RING	3 BALL	4 LOCK SCREW	5 HOUSING	LOAD RATING
EBBU500	EBBU-500	5/8	3/4	.24	1/4-28	22'	1/2	3/8	EBUR-500	EBUB-500	EBUS-500	EBBU-500-H	5849
EBBU600	EBBU-600	13/16	7/8	.35	5/16-24	24'	5/8	1/2	EBUR-600	EBUB-600	EBUS-600	EBBU-600-H	10925
EBBU700	EBBU-700	15/16	7/8	.28	3/8-24	22'	3/4	5/8	EBUR-700	EBUB-700	EBUS-700	EBBU-700-H	13325
EBBU800	EBBU-800	1 1/8	15/16	.24	1/2-20	26'	7/8	3/4	EBUR-800	EBUB-800	EBUS-700	EBBU-800-H	18863
EBBU1100	EBBU-1100	1 1/2	1 1/4	.44	1/2-20	22'	1 1/8	1	EBUR-1100	EBUB-1100	EBUS-1100	EBBU-1100-H	34614

\*MUST PURCHASE REPLACEABLE PAD SEPARATELY (REFER TO PAGE D-42, D-45, D-46, D-55).

## CAD Directory

Mach-Tool\Grippers

Note: The shortest standard components is given, you may "stretch" the unit to the desired length.