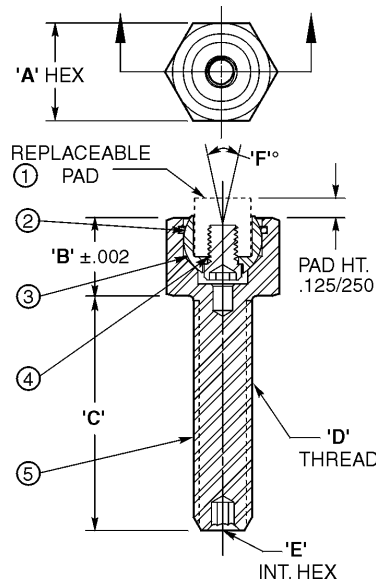


Swivots-Hex Head Adjustable



REPLACEABLE PAD STYLE HEX HEAD DESIGN														
ASSEMBLIES								COMPONENTS						
CAD FILE NAME	PART NUMBER	A HEX	B HEAD HT	C THD LENGTH	D THD SIZE	E INT HEX	F DEGREE SWIVEL	BALL DIA	1* REPLACE PAD DIA	2 O-RING	3 BALL	4 LOCK SCREW	5 HOUSING	LOAD RATING
EBUH0230	EBUH-0230	5/8	1/2	1/2	3/8-24	1/8	22°	1/2	3/8	EBUR-500	EBUB-500	EBUS-500	EBUH-0230-H	3446
	EBUH-0231	5/8	1/2	1	3/8-24	1/8	22°	1/2	3/8	EBUR-500	EBUB-500	EBUS-500	EBUH-0231-H	3446
	EBUH-0231 x 1 1/2	5/8	1/2	1 1/2	3/8-24	1/8	22°	1/2	3/8	EBUR-500	EBUB-500	EBUS-500	EBUH-0231-1 1/2-H	3446
	EBUH-0370	5/8	1/2	1/2	3/8-16	1/8	22°	1/2	3/8	EBUR-500	EBUB-500	EBUS-500	EBUH-0370-H	3446
	EBUH-0375	5/8	1/2	1	3/8-16	1/8	22°	1/2	3/8	EBUR-500	EBUB-500	EBUS-500	EBUH-0375-H	3446
	EBUH-0375 x 1 1/2	5/8	1/2	1 1/2	3/8-16	1/8	22°	1/2	3/8	EBUR-500	EBUB-500	EBUS-500	EBUH-0375-1 1/2-H	3446
EBUH0240	EBUH-0240	13/16	5/8	1	1/2-20	3/16	24°	5/8	1/2	EBUR-600	EBUB-600	EBUS-600	EBUH-0240-H	7178
	EBUH-0500	13/16	5/8	1 1/2	1/2-20	3/16	24°	5/8	1/2	EBUR-600	EBUB-600	EBUS-600	EBUH-0500-H	7178
	EBUH-0510	13/16	5/8	1	1/2-13	3/16	24°	5/8	1/2	EBUR-600	EBUB-600	EBUS-600	EBUH-0510-H	5937
	EBUH-0515	13/16	5/8	1 1/2	1/2-13	3/16	24°	5/8	1/2	EBUR-600	EBUB-600	EBUS-600	EBUH-0515-H	5937
EBUH0620	EBUH-0620	15/16	11/16	1	5/8-18	1/4	22°	3/4	5/8	EBUR-700	EBUB-700	EBUS-700	EBUH-0620-H	11874
	EBUH-0620 x 2	15/16	11/16	2	5/8-18	1/4	22°	3/4	5/8	EBUR-700	EBUB-700	EBUS-700	EBUH-0620-2-H	11874
	EBUH-0625	15/16	11/16	1	5/8-18	1/4	22°	3/4	5/8	EBUR-700	EBUB-700	EBUS-700	EBUH-0625-H	9932
	EBUH-0625 x 2	15/16	11/16	2	5/8-18	1/4	22°	3/4	5/8	EBUR-700	EBUB-700	EBUS-700	EBUH-0625-2-H	9932
EBUH0750	EBUH-0750	1 1/8	3/4	1	3/4-16	5/16	20°	7/8	3/4	EBUR-800	EBUB-800	EBUS-800	EBUH-0750-H	13565
	EBUH-0750 x 2 1/2	1 1/8	3/4	2 1/2	3/4-16	5/16	20°	7/8	3/4	EBUR-800	EBUB-800	EBUS-800	EBUH-0750-2 1/2-H	13565
	EBUH-0755	1 1/8	3/4	1	3/4-10	5/16	20°	7/8	3/4	EBUR-800	EBUB-800	EBUS-800	EBUH-0755-H	14862
	EBUH-0755 x 2 1/2	1 1/8	3/4	2 1/2	3/4-10	5/16	20°	7/8	3/4	EBUR-800	EBUB-800	EBUS-800	EBUH-0755-2 1/2-H	14862
EBUH11142	EBUH-1114 x 2	1 1/2	7/8	2	1-14	3/8	22°	1 1/8	1	EBUR-1100	EBUB-1100	EBUS-1100	EBUH-1114-2-H	26234
	EBUH-1114 x 4	1 1/2	7/8	4	1-14	3/8	22°	1 1/8	1	EBUR-1100	EBUB-1100	EBUS-1100	EBUH-1114-4-H	26234
	EBUH-1108 x 2	1 1/2	7/8	2	1-8	3/8	22°	1 1/8	1	EBUR-1100	EBUB-1100	EBUS-1100	EBUH-1108-2-H	28158
	EBUH-1108 x 4	1 1/2	7/8	4	1-8	3/8	22°	1 1/8	1	EBUR-1100	EBUB-1100	EBUS-1100	EBUH-1108-4-H	28158

*MUST PURCHASE REPLACEABLE PAD SEPARATELY (REFER TO PAGE D-42, D-45, D-46 OR D-55).

CAD Directory

Mach-Tool\Grippers

Note: The shortest standard components is given, you may "stretch" the unit to the desired length.