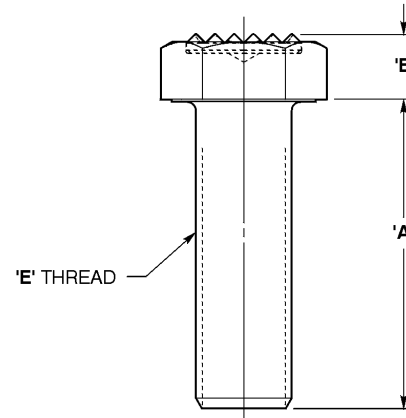
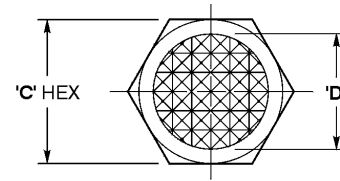
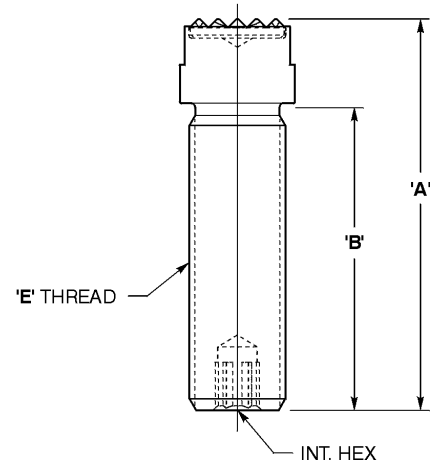
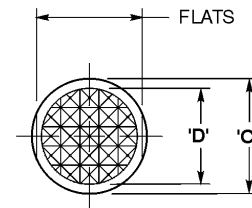


Grippers "ECTH" and "EAG" Adjustable

"ECTH" CARBIDE TIPPED ADJUSTABLE							
CAD FILE NAME	PART NUMBER	A	B	C HEX	D	E-THD.	TOOTH PATTERN
ECTH0200	ECTH-0200	1/2	13/64	7/16	5/16	1/4-20	EX-FINE
	ECTH-0250	1	13/64	7/16	5/16	1/4-20	EX-FINE
	ECTH-0250x1 1/2	1 1/2	13/64	7/16	5/16	1/4-20	EX-FINE
	ECTH-0280	1/2	13/64	7/16	5/16	1/4-28	EX-FINE
	ECTH-0281	1	13/64	7/16	5/16	1/4-28	EX-FINE
ECTH0310F	ECTH-0281x1 1/2	1 1/2	13/64	7/16	5/16	1/4-28	EX-FINE
	ECTH-0310*	1/2	1/4	1/2	3/8	5/16-18	FINE/EX-FINE
	ECTH-0312*	1	1/4	1/2	3/8	5/16-18	FINE/EX-FINE
	ECTH-0312x1 1/2*	1 1/2	1/4	1/2	3/8	5/16-18	FINE/EX-FINE
	ECTH-0320*	1/2	1/4	1/2	3/8	5/16-24	FINE/EX-FINE
ECTH0230F	ECTH-0321*	1	1/4	1/2	3/8	5/16-24	FINE/EX-FINE
	ECTH-0321x1 1/2*	1 1/2	1/4	1/2	3/8	5/16-24	FINE/EX-FINE
	ECTH-0230*	1/2	9/32	9/16	1/2	3/8-24	FINE/EX-FINE
	ECTH-0231*	1	9/32	9/16	1/2	3/8-24	FINE/EX-FINE
	ECTH-0231x1 1/2*	1 1/2	9/32	9/16	1/2	3/8-24	FINE/EX-FINE
ECTH0240F	ECTH-0370*	1/2	9/32	9/16	1/2	3/8-16	FINE/EX-FINE
	ECTH-0375*	1	9/32	9/16	1/2	3/8-16	FINE/EX-FINE
	ECTH-0375x1 1/2*	1 1/2	9/32	9/16	1/2	3/8-16	FINE/EX-FINE
	ECTH-0240*	1	23/64	3/4	5/8	1/2-20	FINE/EX-FINE
	ECTH-0500*	1 1/2	23/64	3/4	5/8	1/2-20	FINE/EX-FINE
ECTH0620F	ECTH-0510*	1	23/64	3/4	5/8	1/2-13	FINE/EX-FINE
	ECTH-0515*	1 1/2	23/64	3/4	5/8	1/2-13	FINE/EX-FINE
	ECTH-0620*	1	7/16	15/16	3/4	5/8-18	FINE/EX-FINE
	ECTH-0620x2	2	7/16	15/16	3/4	5/8-18	FINE/EX-FINE
	ECTH-0625*	1	7/16	15/16	3/4	5/8-11	1FINE/EX-FINE
ECTH0750EF	ECTH-0625x2*	2	7/16	15/16	3/4	5/8-11	FINE/EX-FINE
	ECTH-0750EF	1	1/2	1 1/8	1	3/4-16	EX-FINE
	ECTH-0750x2 1/2 EF	2 1/2	1/2	1 1/8	1	3/4-16	EX-FINE
ECTH0755EF	ECTH-0755EF	1	1/2	1 1/8	1	3/4-10	EX-FINE
	ECTH-0755x2 1/2 EF	2 1/2	1/2	1 1/8	1	3/4-10	EX-FINE



"EAG" CARBIDE TIPPED ADJUSTABLE								
CAD FILE NAME	PART NUMBER	A	B	C	D	E	INT HEX	TOOTH PATTERN
EAG0230F	EAG-0230*	15/16	9/16	1/2	3/8	3/8-24	1/8	FINE/EX-FINE
	EAG-0231*	1 3/8	1	1/2	3/8	3/8-24	1/8	FINE/EX-FINE
	EAG-0231x1 1/2*	1 7/8	1 1/2	1/2	3/8	3/8-24	1/8	FINE/EX-FINE
	EAG-0370*	15/16	9/16	1/2	3/8	3/8-16	1/8	FINE/EX-FINE
	EAG-0375*	1 3/8	1	1/2	3/8	3/8-16	1/8	FINE/EX-FINE
EAG0240F	EAG-0375x1 1/2*	1 7/8	1 1/2	1/2	3/8	3/8-16	1/8	FINE/EX-FINE
	EAG-0240*	1 3/8	7/8	5/8	1/2	1/2-20	3/16	FINE/EX-FINE
	EAG-0500*	2 1/16	1 1/2	5/8	1/2	1/2-20	3/16	FINE/EX-FINE
	EAG-0510*	1 3/8	7/8	5/8	1/2	1/2-13	3/16	FINE/EX-FINE
	EAG-0515*	2 1/16	1 1/2	5/8	1/2	1/2-13	3/16	FINE/EX-FINE
EAG06201F	EAG-0620x1*	1 9/16	1	3/4	5/8	5/8-18	1/4	FINE/EX-FINE
	EAG-0620x2*	2 9/16	2	3/4	5/8	5/8-18	1/4	FINE/EX-FINE
	EAG-0625x1*	1 9/16	1	3/4	5/8	5/8-11	1/4	FINE/EX-FINE
	EAG-0625x2*	2 9/16	2	3/4	5/8	5/8-11	1/4	FINE/EX-FINE
	EAG-0750x1*	1 9/16	1	7/8	3/4	3/4-16	5/16	FINE/EX-FINE
EAG07501F	EAG-0750x2 1/2*	3 1/6	2 1/2	7/8	3/4	3/4-16	5/16	FINE/EX-FINE
	EAG-0755x1*	1 9/16	1	7/8	3/4	3/4-10	5/16	FINE/EX-FINE
	EAG-0755x2 1/2*	2 1/2	3 1/6	7/8	3/4	3/4-10	5/16	FINE/EX-FINE



* Optional tooth patterns available, specify "EF" for Extra-Fine. Fine tooth pattern will be shipped unless otherwise noted.

Grippers "EPG" Adjustable

"EPG" CARBIDE TIPPED ADJUSTABLE						
CAD FILE NAME	PART NUMBER	A	B	C	INT HEX	TOOTH PATTERN
EPG0230	EPG-0230	1/2	1/4	3/8-24	3/16	EX-FINE
	EPG-0231	1	1/4	3/8-24	3/16	EX-FINE
	EPG-0231x1½	1 1/2	1/4	3/8-24	3/16	EX-FINE
	EPG-0231x2	2	1/4	3/8-24	3/16	EX-FINE
	EPG-0231x3	3	1/4	3/8-24	3/16	EX-FINE
	EPG-0370	1/2	1/4	3/8-16	3/16	EX-FINE
	EPG-0375	1	1/4	3/8-16	3/16	EX-FINE
	EPG-0375x2	2	1/4	3/8-16	3/16	EX-FINE
EPG-0375x3	3	1/4	3/8-16	3/16	EX-FINE	
EPG0503	EPG-0503*	3/4	3/8	1/2-20	1/4	FINE/EX-FINE
EPG05034	EPG-0503-4	3/4	3/8	1/2-20	1/4	4-POINT
EPG0503	EPG-0500*	1	3/8	1/2-20	1/4	FINE/EX-FINE
EPG05034	EPG-500-4	1	3/8	1/2-20	1/4	4-POINT
EPG0503	EPG-0500x2*	2	3/8	1/2-20	1/4	FINE/EX-FINE
EPG05034	EPG-0500x2-4	2	3/8	1/2-20	1/4	4-POINT
EPG0503	EPG-0500x3*	3	3/8	1/2-20	1/4	FINE/EX-FINE
EPG05034	EPG-0500x3-4	3	3/8	1/2-20	1/4	4-POINT
EPG0503	EPG-0510*	1	3/8	1/2-13	1/4	FINE/EX-FINE
EPG05034	EPG-0510-4	1	3/8	1/2-13	1/4	4-POINT
EPG0503	EPG-0510x2*	2	3/8	1/2-13	1/4	FINE/EX-FINE
EPG05034	EPG-0510x2-4	2	3/8	1/2-13	1/4	4-POINT
EPG0503	EPG-0510x3*	3	3/8	1/2-13	1/4	FINE/EX-FINE
EPG05034	EPG-0510-3-4	3	3/8	1/2-13	1/4	4-POINT
EPG0503	EPG-0513*	3/4	3/8	1/2-13	1/4	FINE/EX-FINE
EPG05034	EPG-0513-4	3/4	3/8	1/2-13	1/4	4-POINT
EPG0620F	EPG-0620*	1	1/2	5/8-18	5/16	FINE/EX-FINE
EPG06204	EPG-0620-4	1	1/2	5/8-18	5/16	4-POINT
EPG0620F	EPG-0620x1¼*	1 3/4	1/2	5/8-18	5/16	FINE/EX-FINE
EPG06204	EPG-0620x1¼-4	1 3/4	1/2	5/8-18	5/16	4-POINT
EPG0620F	EPG-0620x2*	2	1/2	5/8-18	5/16	FINE/EX-FINE
EPG06204	EPG-0620x2-4	2	1/2	5/8-18	5/16	4-POINT
EPG0620F	EPG-0620x3*	3	1/2	5/8-18	5/16	FINE/EX-FINE
EPG06204	EPG-0620x3-4	3	1/2	5/8-18	5/16	4-POINT
EPG0620F	EPG-0625*	1	7/16	5/8-11	5/16	FINE/EX-FINE
EPG06204	EPG-0625-4	1	7/16	5/8-11	5/16	4-POINT
EPG0620F	EPG-0625x2*	2	7/16	5/8-11	5/16	FINE/EX-FINE
EPG06204	EPG-0625x2-4	2	7/16	5/8-11	5/16	4-POINT
EPG0620F	EPG-0625x3*	2	7/16	5/8-11	5/16	FINE/EX-FINE
EPG06204	EPG-0625x3-4	3	7/16	5/8-11	5/16	4-POINT
EPG0750F	EPG-0750*	1	1/2	3/4-16	3/8	FINE/EX-FINE
EPG07504	EPG-0750-4	1	1/2	3/4-16	3/8	4-POINT
EPG0750F	EPG-0750x2*	2	1/2	3/4-16	3/8	FINE/EX-FINE
EPG07504	EPG-0750x2-4	2	1/2	3/4-16	3/8	4-POINT
EPG0750F	EPG-0750x3*	3	1/2	3/4-16	3/8	FINE/EX-FINE
EPG07504	EPG-0750x3-4	3	1/2	3/4-16	3/8	4-POINT
EPG0750F	EPG-0755*	1	1/2	3/4-16	3/8	FINE/EX-FINE
EPG07504	EPG-0755-4	1	1/2	3/4-10	3/8	4-POINT
EPG0750F	EPG-0755x2*	2	1/2	3/4-10	3/8	FINE/EX-FINE
EPG07504	EPG-0755x2-4	2	1/2	3/4-10	3/8	4-POINT
EPG0750F	EPG-0755x3*	3	1/2	3/4-10	3/8	FINE/EX-FINE
EPG07504	EPG-0755x3-4	3	1/2	3/4-10	3/8	4-POINT

*Optional tooth patterns available, specify "EF" for Extra-Fine. Fine tooth pattern will be shipped unless otherwise noted.

CAD Directory

Mach-Tool/Grippers

Note: The shortest standard components is given, you may "stretch" the unit to the desired length.

