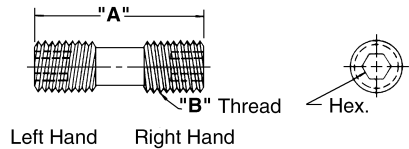
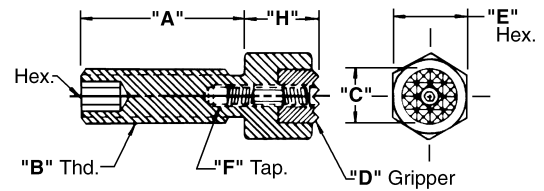


Grippers "EAJH" Adjustagrip™

CAD FILE NAME	PART NUMBER	A DIA.	B THD	C BORE	D GRIPPER	E HEX	F INT. TAP	G INT. HEX	H HEAD HT
EHS0230	EAJH-0230	1/2	3/8-24	3/8	EHS-40	9/16	#10-32 LH	3/16	1/2
	EAJH-0231	1	3/8-24	3/8	EHS-40	9/16	#10-32 LH	1/8	1/2
	EAJH-0231x1 1/2	1 1/2	3/8-24	3/8	EHS-40	9/16	#10-32 LH	1/8	1/2
	EAJH-0370	1/2	3/8-16	3/8	EHS-40	9/16	#10-32 LH	3/16	1/2
	EAJH-0375	1	3/8-16	3/8	EHS-40	9/16	#10-32 LH	1/8	1/2
EHS0240	EAJH-0375x1 1/2	1 1/2	3/8-16	3/8	EHS-40	9/16	#10-32 LH	1/8	1/2
	EAJH-0240	1	1/2-20	1/2	EHS-50	11/16	#10-32 LH	3/16	5/8
	EAJH-0500	1 1/2	1/2-20	1/2	EHS-50	11/16	#10-32 LH	3/16	5/8
	EAJH-0510	1	1/2-13	1/2	EHS-50	11/16	#10-32 LH	3/16	5/8
EHS06201	EAJH-0515	1 1/2	1/2-13	1/2	EHS-50	11/16	#10-32 LH	3/16	5/8
	EAJH-0620x1	1	5/8-18	5/8	EHS-62	13/16	1/4-28 LH	1/4	5/8
	EAJH-0620x2	2	5/8-18	5/8	EHS-62	13/16	1/4-28 LH	1/4	5/8
	EAJH-0625x1	1	5/8-11	5/8	EHS-62	13/16	1/4-28 LH	1/4	5/8
EHS07501	EAJH-0625x2	2	5/8-11	5/8	EHS-62	13/16	1/4-28 LH	1/4	5/8
	EAJH-0750x1	1	3/4-16	3/4	EHS-75	15/16	1/4-28 LH	5/16	5/8
	EAJH-0750x2 1/2	2 1/2	3/4-16	3/4	EHS-75	15/16	1/4-28 LH	5/16	5/8
	EAJH-0755x1	1	3/4-10	3/4	EHS-75	15/16	1/4-28 LH	5/16	5/8
	EAJH-0755x2 1/2	2 1/2	3/4-10	3/4	EHS-75	15/16	1/4-28 LH	5/16	5/8

All Adjustagrips come with differential screws. Grippers must be purchased separately, note column "D" above.



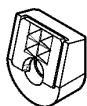
DIFFERENTIAL SCREW			
PART NUMBER	A	B THD	C HEX
EDS-1032	.590	#10-32	3/32
EDS-2528	.625	1/4-28	1/8

Grippers "ECT" Carbide Tipped

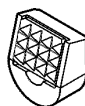
ECT-ROUND								
CAD FILE NAME	PART NUMBER	A DIA	B	C	D	E	F TAP	TOOTH PATTERN
ECT830	ECT-830	3/8	3/8	11/64	3/16	5/16	#10-32	EX-FINE
ECT8304	ECT-830-4	3/8	3/8	11/64	3/16	5/16	#10-32	4-POINT
ECT835	ECT-835	3/8	1/2	15/64	3/16	5/16	#10-32	EX-FINE
ECT8354	ECT-835-4	3/8	1/2	15/64	3/16	5/16	#10-32	4-POINT
ECT840	ECT-840*	1/2	1/2	15/64	3/16	3/8	#10-32	FINE/EX-FINE
ECT8404	ECT-840-4	1/2	1/2	15/64	3/16	3/8	#10-32	4-POINT
ECT841	ECT-841*	1/2	3/8	11/64	3/16	3/8	#10-32	FINE/EX-FINE
ECT8414	ECT-841-4	1/2	3/8	11/64	3/16	3/8	#10-32	4-POINT
ECT842	ECT-842*	1/2	.651	19/64	3/16	3/8	#10-32	FINE/EX-FINE
ECT8424	ECT-842-4	1/2	.651	19/64	3/16	3/8	#10-32	4-POINT
ECT844	ECT-844*	1/2	1/2	KEYWAY	-	3/8	#10-32	FINE/EX-FINE
ECT8444	ECT-844-4	1/2	1/2	KEYWAY	-	3/8	#10-32	4-POINT
ECT850	ECT-850*	5/8	3/8	11/64	3/16	1/2	1/4-28	FINE/EX-FINE
ECT855	ECT-855*	5/8	1/2	15/64	3/16	1/2	1/4-28	FINE/EX-FINE
ECT860	ECT-860*	3/4	3/8	11/64	3/16	5/8	1/4-28	FINE/EX-FINE
ECT862	ECT-862*	3/4	1/2	15/64	3/16	5/8	1/4-28	FINE/EX-FINE
ECT865	ECT-865*	1	3/8	11/64	3/16	3/4	1/4-28	FINE/EX-FINE
ECT071	ECT-071*	5/8	5/8	KEYWAY	-	1/2	1/4-28	FINE/EX-FINE
ECT0714	ECT-071-4	5/8	5/8	KEYWAY	-	1/2	1/4-28	4-POINT
ECT-SQUARE								
ECT870	ECT-870	1/2	3/8	-	-	13/32	#10-32	FINE/EX-FINE
ECT875	ECT-875	1/2	1/2	-	-	13/32	#10-32	FINE/EX-FINE

*Optional tooth patterns available, must add "EF" for Extra-Fine to end of part number, otherwise gripper will be supplied with Fine tooth pattern.

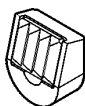
ECT-ANGLE GRIP						
CAD FILE NAME	PART NUMBER	A	B	C	D	TOOTH PATTERN
ECT1274	ECT-127-4	9/16	3/8	#10-32	15/32	4-POINT
ECT12712	ECT-127-12	9/16	3/8	#10-32	15/32	FINE
ECT1304	ECT-130-4	9/16	3/8	#10-32	15/32	STRAIGHT
ECT1455	ECT-145-5	9/16	3/8	#10-32	15/32	ANGULAR



4 POINT



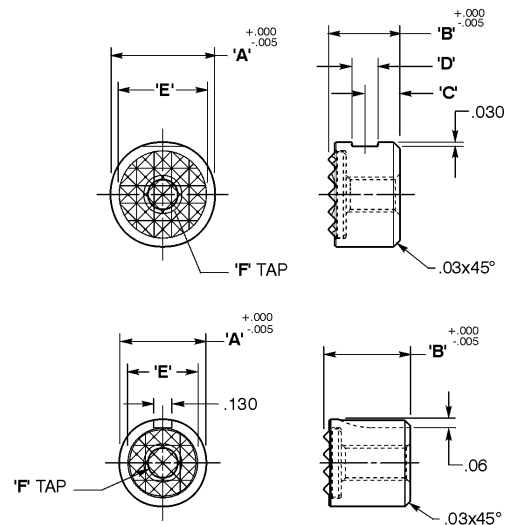
12 POINT



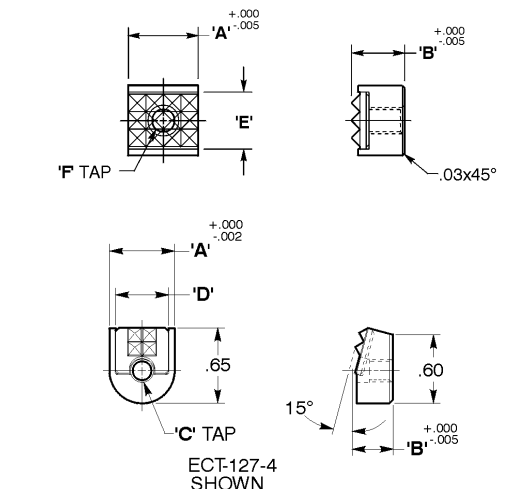
STRAIGHT



ANGULAR



KEYWAY



CAD Directory

Mach-Tool/Grippers

Note: The shortest standard components is given, you may "stretch" the unit to the desired length.