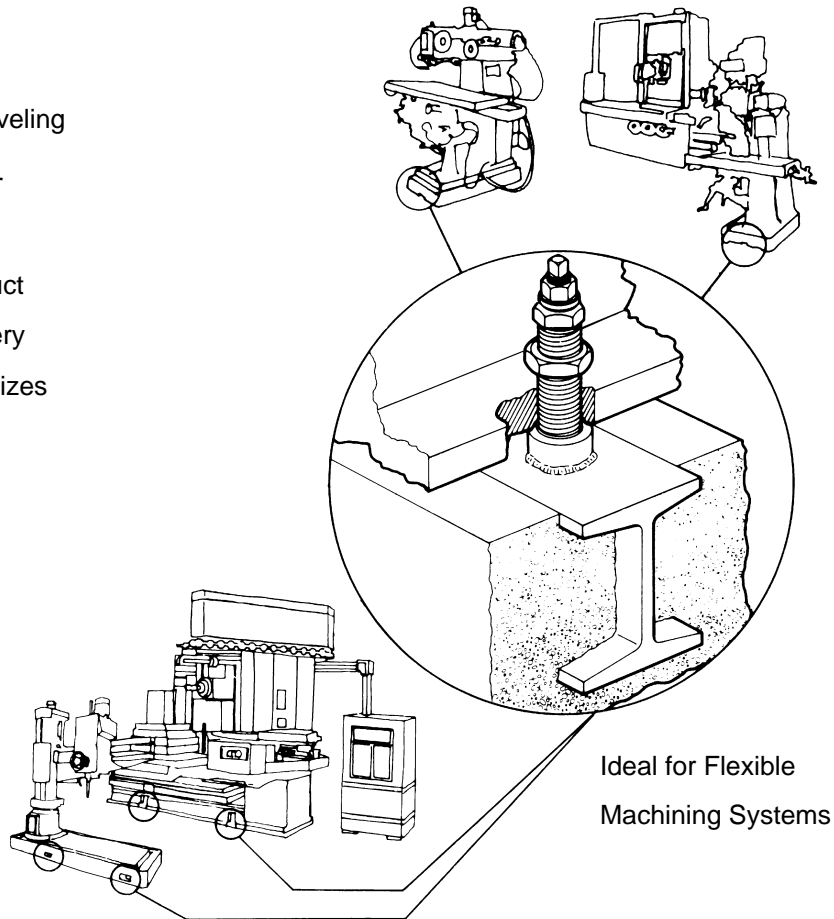


# Leveling Jacks

## Features:

- Single Point Leveling and Hold Down Through Center
- Adjustable
- Standard Product
- Off-Shelf Delivery
- Full Range of Sizes



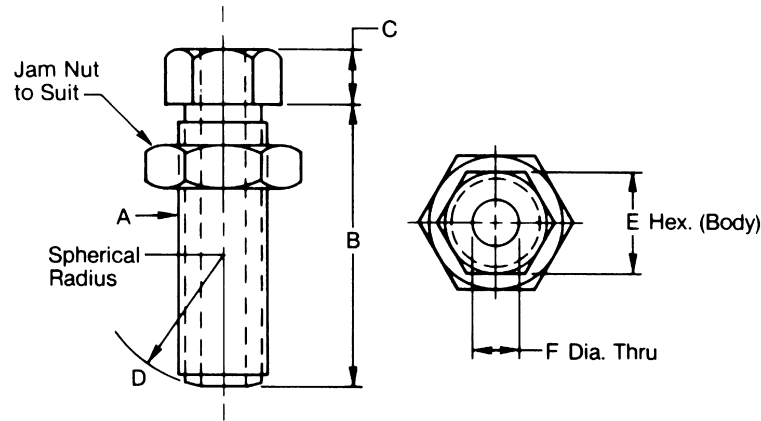
Ideal for Flexible  
Machining Systems

## Coaxial Leveling and Anchoring for:

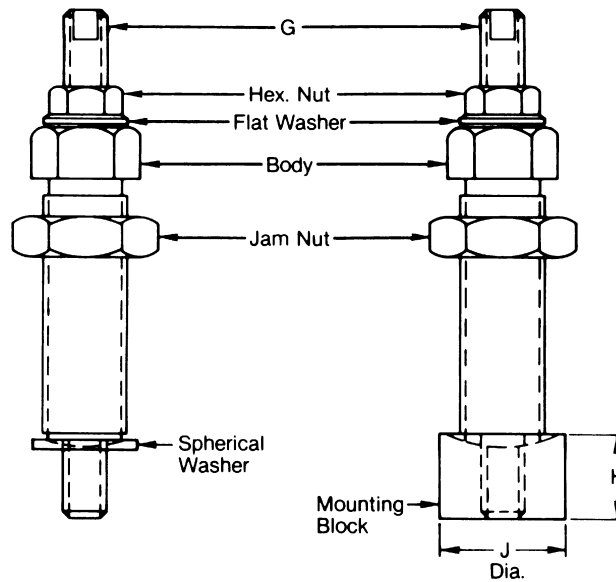
- |  |  |
|--|--|
| <input type="checkbox"/> Mills             | <input type="checkbox"/> Broaches          |
| <input type="checkbox"/> Lathes            | <input type="checkbox"/> Fixtures          |
| <input type="checkbox"/> Transfer Lines    | <input type="checkbox"/> Screw Machines    |
| <input type="checkbox"/> Machining Centers | <input type="checkbox"/> Assembly Machines |
| <input type="checkbox"/> Boring Mills      | <input type="checkbox"/> Stamping Presses  |
| <input type="checkbox"/> Grinders          | <input type="checkbox"/> Drill Presses     |



# Leveling Jacks



CAD FILE NAME	PART NUMBER	DESCRIPTION	A	B	C	D	E	F
LJ7502	ELJ-7502	BODY AND JAM NUT ONLY	3/4 - 16	2 - 1/8	1/2	1 - 1/2	1 - 1/8	13/32
LJ1003	ELJ-1003		1 - 14	3 - 3/16	5/8	1 - 1/2	1 - 1/8	9/16
LJ1123	ELJ-1123		1 - 1/8 - 12	3 - 5/8	5/8	1 - 1/2	1 - 5/8	9/16
LJ1125	ELJ-1125		1 - 1/8 - 12	5 - 3/8	5/8	1 - 1/2	1 - 5/8	9/16
LJ1503	ELJ-1503		1 - 1/2 - 12	3 - 5/8	5/8	2 - 1/4	1 - 5/8	7/8
LJ1505	ELJ-1505		1 - 1/2 - 12	5 - 3/8	5/8	2 - 1/4	1 - 5/8	7/8



CAD FILE NAME	PART NUMBER	DESCRIPTION	G	CAD FILE NAME	PART NUMBER	DESCRIPTION	H	J
LJ7502A	ELJ-7502-A	BODY JAM NUT STUD HEX NUT FLAT WASHER SPHERICAL WASHER	3/8 - 16 x 4-1/4	LJ7502M	ELJ-7502-AM	BODY JAM NUT STUD HEX NUT FLAT WASHER MOUNTING BLOCK	3/4	1-1/2
LJ1003A	ELJ-1003-A		1/2 - 13 x 7	LJ1003M	ELJ-1003-AM		1	1-1/2
LJ1123A	ELJ-1123-A		1/2 - 13 x 7-1/2	LJ1123M	ELJ-1123-AM		1-1/4	2-1/2
LJ1125A	ELJ-1125-A		1/2 - 13 x 8-1/2	LJ1125M	ELJ-1125-AM		1-1/4	2-1/2
LJ1503A	ELJ-1503-A		3/4 - 10 x 7-1/2	LJ1503M	ELJ-1503-AM		1-1/4	2-1/2
LJ1505A	ELJ-1505-A		3/4 - 10 x 9	LJ1505M	ELJ-1505-AM		1-1/4	2-1/2