

Load Rating of Transfer Bar Guide Rollers

PART NUMBER	DYNAMIC LOAD	STATIC LOAD
E145	12,300 Lbs.	13,600
E853	12,300 Lbs.	13,600
E351	4,860 Lbs.	5,240
E353	7,770 Lbs.	8,000
E355	11,000 Lbs.	11,300
E357	12,300 Lbs.	13,600
E359	12,300 Lbs.	13,600

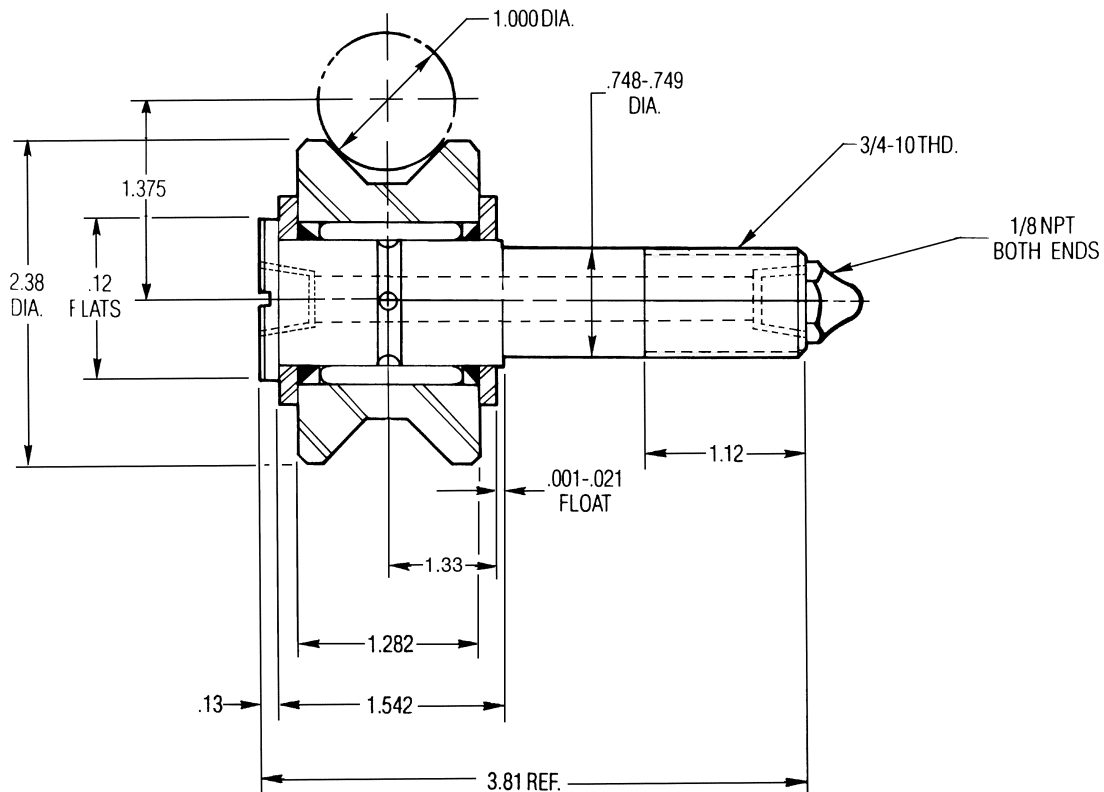
Special Transfer Bar Guide Rolls

If our standard Transfer Bar Guide Rolls don't meet your needs, we can provide custom rolls to your specifications. Send us your print or a sketch with a request for quotation. If you need engineering or technical assistance, please call us directly.

VEE Transfer Bar Guide Roll

CAD File Name E351

Part No. E351



VEE Transfer Bar Guide Rolls

CAD File Name E353
Part No. E353

CAD File Name E355
Part No. E355



VEE Transfer Bar Guide Rolls

CAD File Name E357
Part No. E357

CAD File Name E359
Part No. E359

Square Transfer Bar Guide Rolls

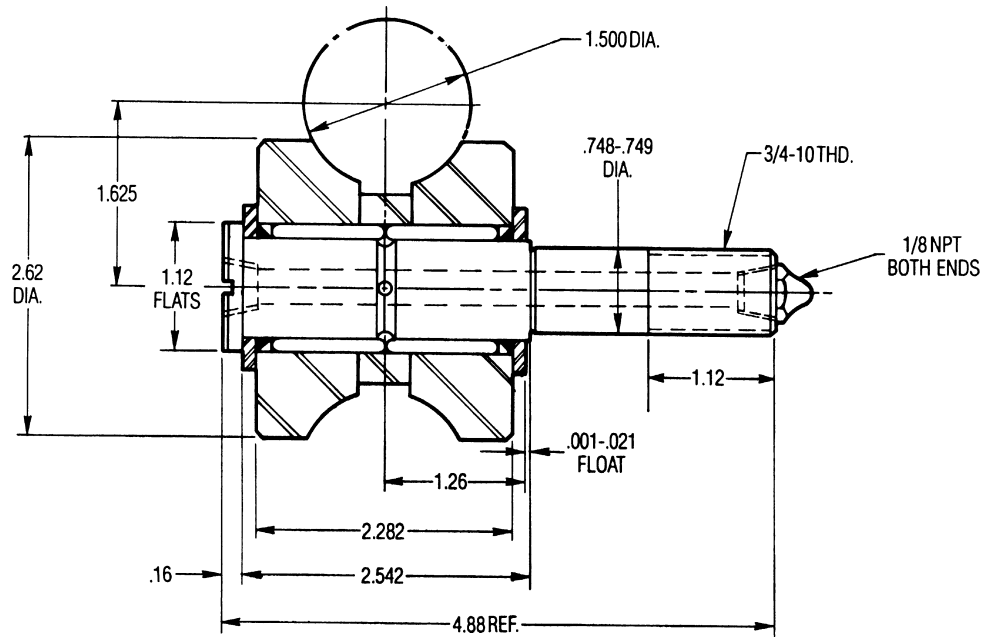
CAD File Name E145
Part No. E145 (bar size 1.250)

CAD File Name E853
Part No. E853 (bar size 1.500)

Radius Transfer Bar Guide Rolls

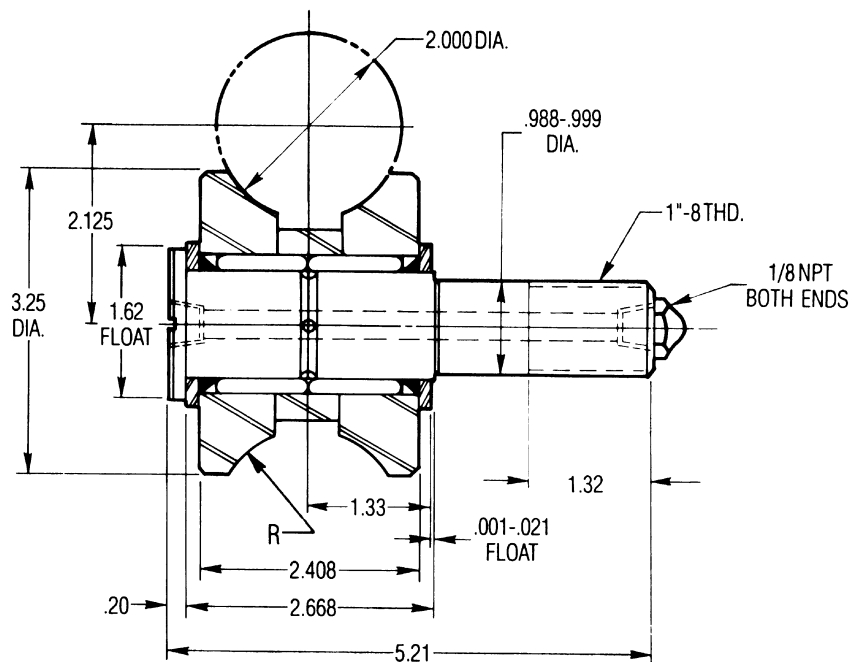
CAD File Name E353R

Part No. E353R



CAD File Name E355R

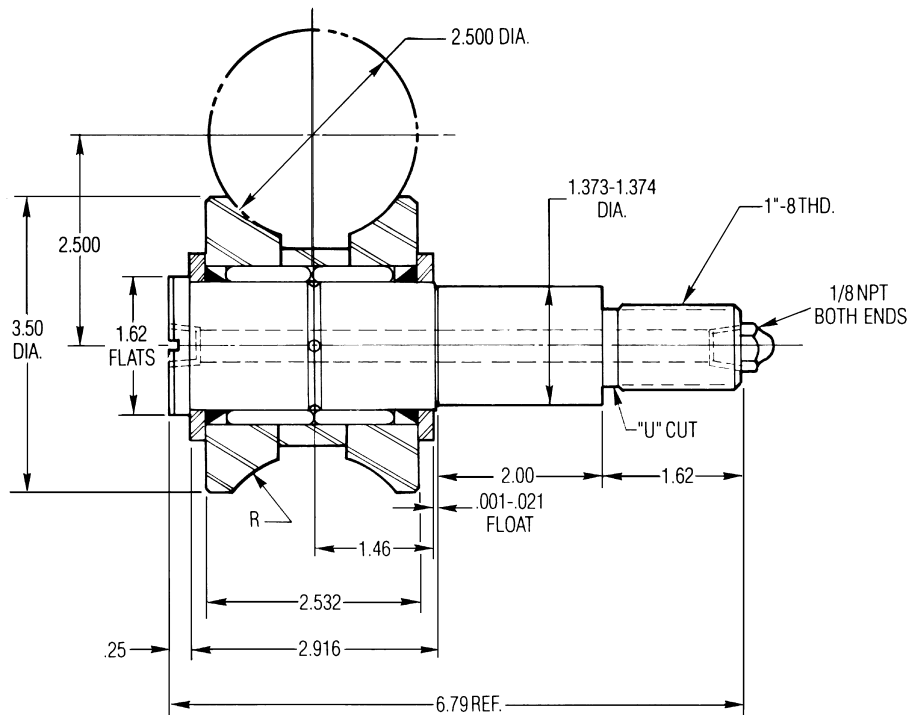
Part No. E355R



Radius Transfer Bar Guide Rolls

CAD File Name E357R

Part No. E357R



CAD File Name E359R

Part No. E359R

