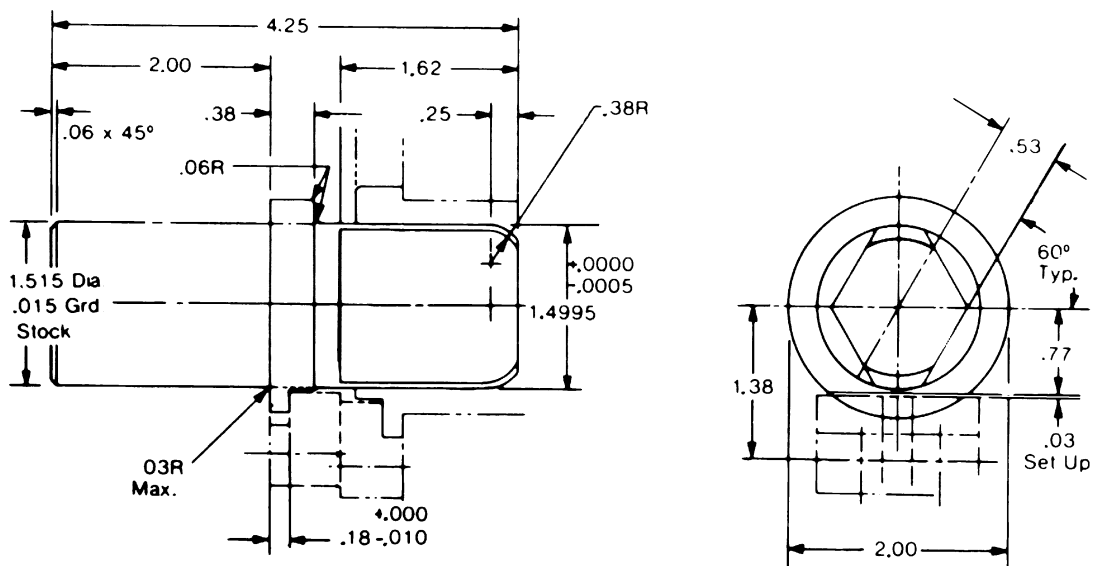


Register Pins

CAD File Name E325

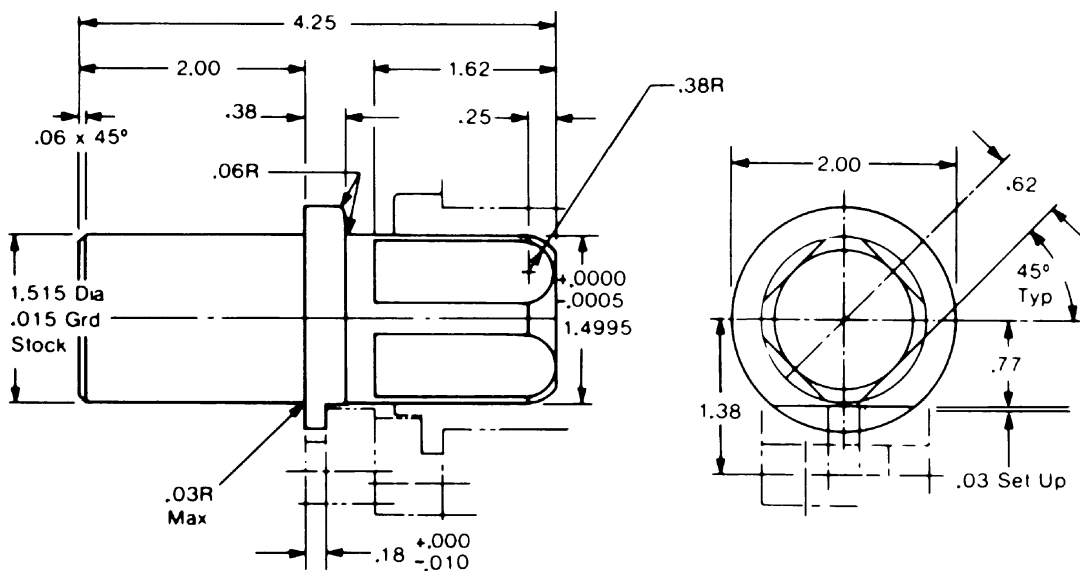
Part No. E-325



NOTE: For Use With E&E Bushing Clamp E036.

CAD File Name E326

Part No. E-326

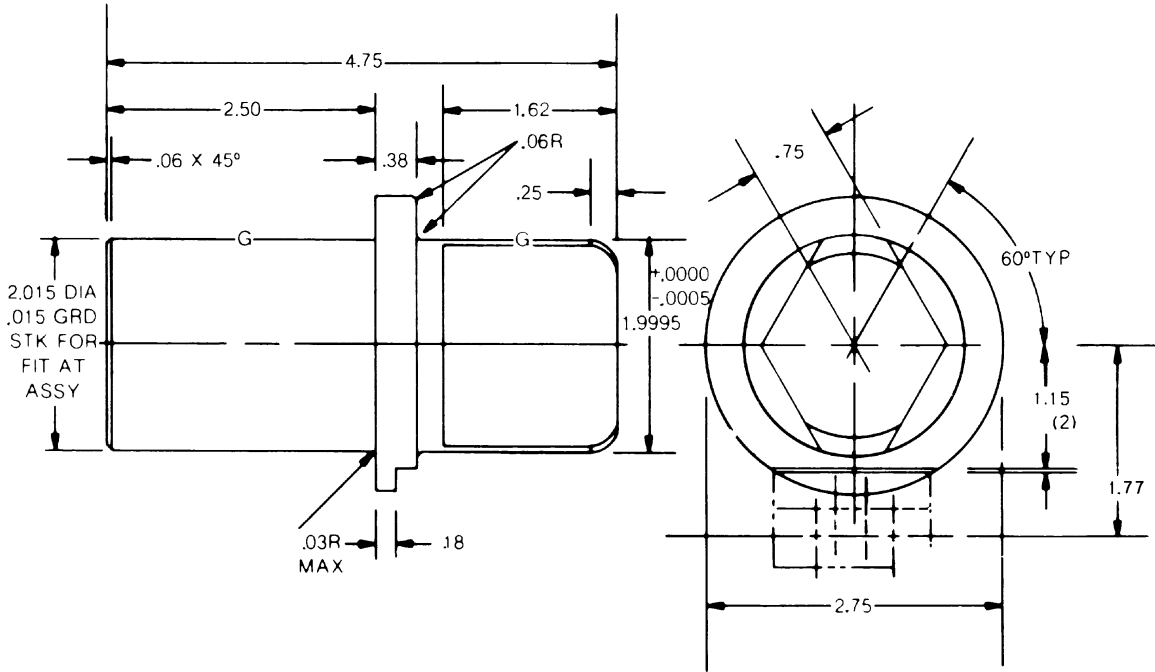


NOTE: For Use With E&E Bushing Clamp E036.

Register Pins

CAD File Name E329

Part No. E-329



CAD File Name E330

Part No. E-330

