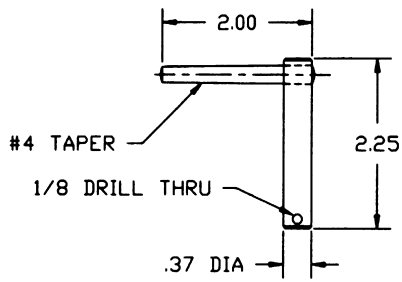


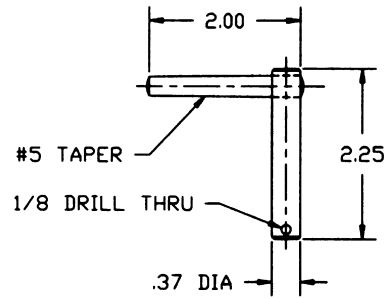
Tapered "L-Pins"

CAD File Name E-2545-4
Part No. E-2545-4



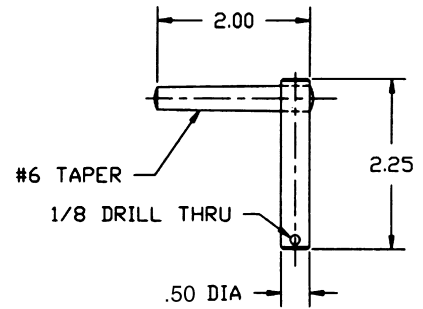
Taper 4

CAD File Name E-2545-5
Part No. E-2545-5



Taper 5

CAD File Name E-2545-6
Part No. E-2545-6



Taper 6

Typical Application

