

Self-Aligning Couplers

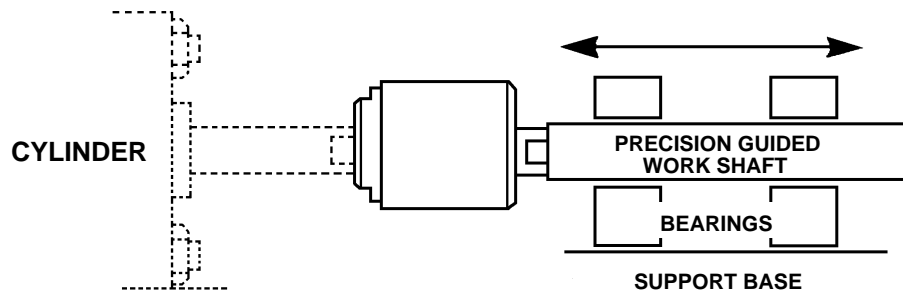


Features:

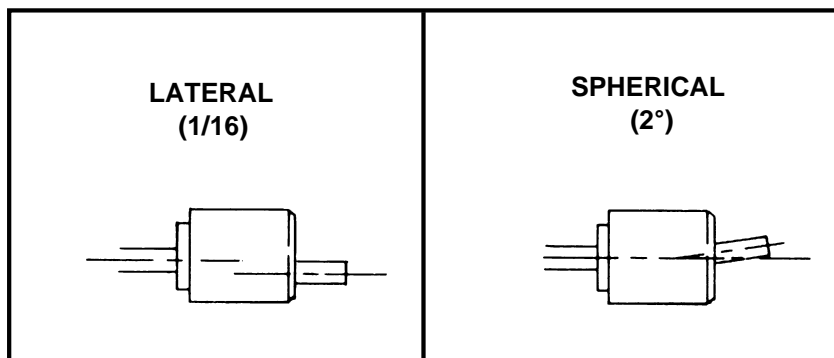
- ❑ Eliminates expensive precision machining for mounting fixed or rigid guide in cylinder for slide applications.
- ❑ Increases cylinder efficiency by eliminating friction caused by misalignment.
- ❑ Compensates for 2° angular error and 1/16 lateral misalignment on push and pull stroke.
- ❑ Greater reliability—reduces cylinder and component wear.
- ❑ Simplifies alignment problems in the field.



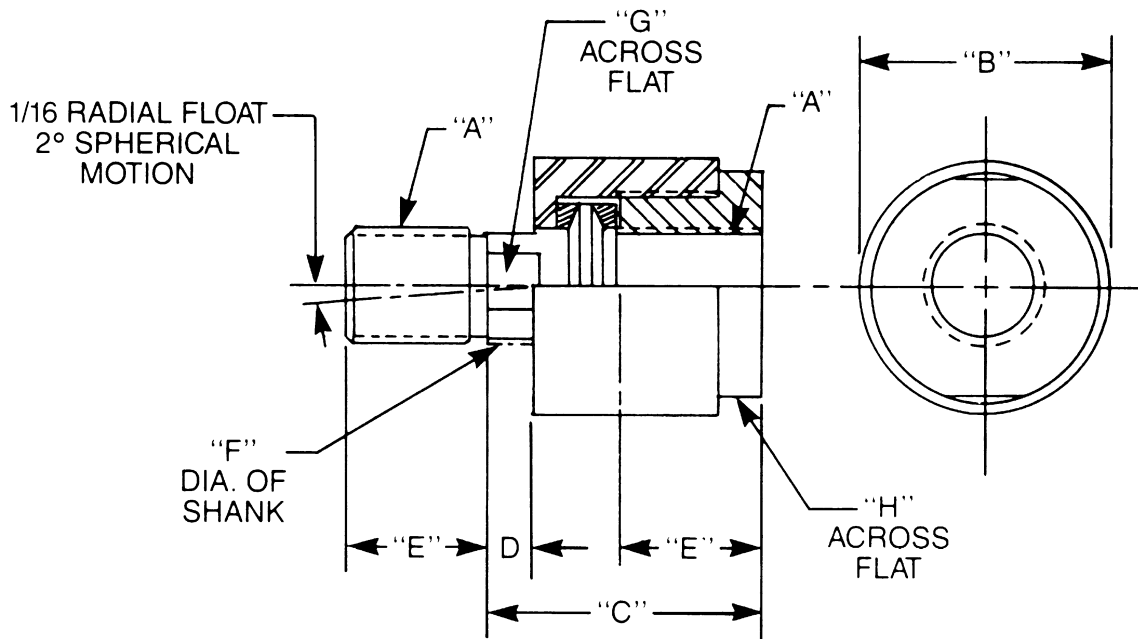
SELF-ALIGNING



(VIEWS EXAGGERATED TO SHOW ALIGNMENT FEATURES)



Self-Aligning Couplers



CAD FILE NAME	PART NUMBER	A	B	C	D	E	F	G	H	MAX. PULL AT YIELD
AC250	EAC-250-F	1/4 - 28	7/8	1-1/4	1/4	5/8	1/4	3/16	13/16	4,000
AC312	EAC-312-F	5/16 - 24	7/8	1-1/4	1/4	5/8	5/16	1/4	13/16	4,000
AC375	EAC-375-F	3/8 - 24	7/8	1-1/4	1/4	5/8	3/8	5/16	13/16	5,000
AC375C	EAC-375-C	3/8 - 16	7/8	1-1/4	1/4	5/8	3/8	5/16	13/16	5,000
AC437	EAC-437-F	7/16 - 20	1-1/4	2	1/2	3/4	5/8	9/16	1-1/8	10,000
AC500	EAC-500-F	1/2 - 20	1-1/4	2	1/2	3/4	5/8	9/16	1-1/8	14,000
AC500C	EAC-500-C	1/2 - 13	1-1/4	2	1/2	3/4	5/8	9/16	1-1/8	14,000
AC625	EAC-625-F	5/8 - 18	1-1/4	2	1/2	3/4	5/8	1/2	1-1/8	14,000
AC750	EAC-750-F	3/4 - 16	1-3/4	2-5/16	5/16	1-1/8	31/32	7/8	1-1/2	34,000
AC750C	EAC-750-C	3/4 - 10	1-3/4	2-5/16	5/16	1-1/8	31/32	7/8	1-1/2	34,000
AC875	EAC-875-F	7/8 - 14	1-3/4	2-5/16	5/16	1-1/8	31/32	7/8	1-1/2	34,000
AC1000	EAC-1000-F	1 - 14	2-1/2	2-15/16	1/2	1-5/8	1-3/8	1-1/4	2-1/4	64,000
AC1000C	EAC-1000-C	1 - 8	2-1/2	2-15/16	1/2	1-5/8	1-3/8	1-1/4	2-1/4	64,000
AC1250	EAC-1250-F	1-1/4 - 12	2-1/2	2-15/16	1/2	1-5/8	1-3/8	1-1/4	2-1/4	64,000
AC1375	EAC-1375-F	1-3/8 - 12	2-1/2	2-15/16	1/2	1-5/8	1-3/8	1-1/4	2-1/4	64,000
AC1500	EAC-1500-F	1-1/2 - 12	3-1/4	4-3/8	13/16	2-1/4	1-3/4	1-1/2	3	120,000
AC1750	EAC-1750-F	1-3/4 - 12	3-1/4	4-3/8	13/16	2-1/4	1-3/4	1-1/2	3	120,000
AC1875	EAC-1875-F	1-7/8 - 12	3-3/4	5-7/16	11/16	3	2-1/4	1-7/8	3-1/2	240,000
AC2000	EAC-2000-F	2 - 12	3-3/4	5-7/16	11/16	3	2-1/4	1-7/8	3-1/2	240,000

STAINLESS STEEL AVAILABLE IN SOME SIZES.

EXAMPLE: EACS-250-F THROUGH EACS-1000-C