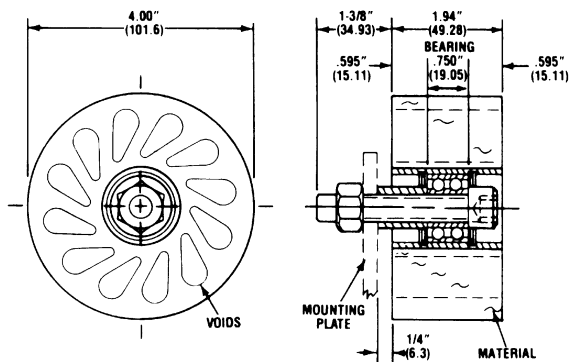


Rollers – Durasoft 4" Dia.



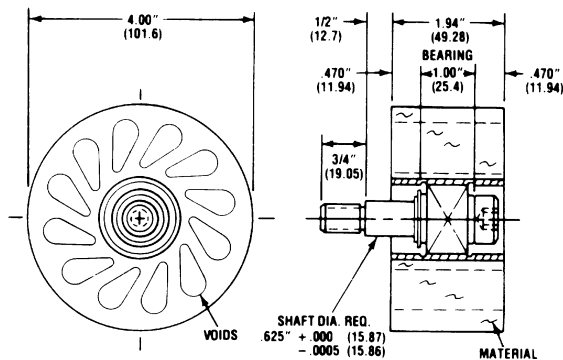
Hardworking Rollers with the Soft Touch

DuraSoft® rollers are compliant to the workpiece, yet durable enough to stand up to demanding production applications. They are molded from a special elastomer with low durometer characteristics and high physical properties. The unique shape of the holes also add to their soft but resilient nature. DuraSoft rollers are ideal for production and assembly applications which require a gentle but firm touch. Material handling uses include: bottling machinery, sheet metal product handling, car wash equipment, and robotic end effectors.

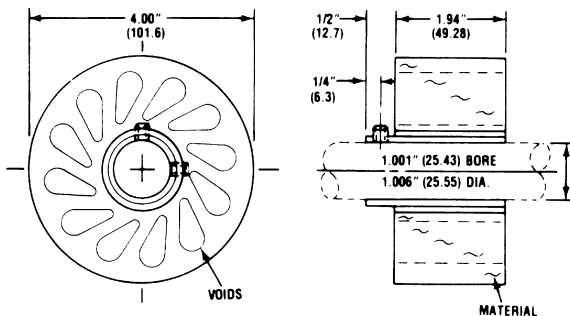


ROLL COMPLETE					
CAD FILE NAME	PART NUMBER	DUROMETER	MATERIAL AVAILABLE		
			(STD)	(W)	(UR)
ERR754C	EDR-754-20 ()-C *	20	X	X	
	EDR-754-35 ()-C *	35	X	X	X
	EDR-754-60 ()-C *	60			X
	EDR-754-80 ()-C *	80			X

* Add "P" for precision bearing or add "PC" for sealed precision bearing option.



BRAKE ROLL RIGHT/LEFT					
CAD FILE NAME	PART NUMBER	DUROMETER	MATERIAL AVAILABLE		
			(STD)	(W)	(UR)
EBR754	EDR-754-20 ()-BR-R/L	20	X	X	
	EDR-754-35 ()-BR-R/L	35	X	X	X
	EDR-754-60 ()-BR-R/L	60			X
	EDR-754-80 ()-BR-R/L	80			X



EX10 (FOR 1" SHAFT DRIVE)					
CAD FILE NAME	PART NUMBER	DUROMETER	MATERIAL AVAILABLE		
			(STD)	(W)	(UR)
ERR754E1	EDR-754-20 ()-EX10	20	X	X	
	EDR-754-35 ()-EX10	35	X	X	X
	EDR-754-60 ()-EX10	60			X
	EDR-754-80 ()-EX10	80			X

Note: () Is the material to be specified to complete part number. When ordering, indicate your material selection into the part number after the durometer. Indicate nothing for black (STD), "W" for white or "UR" for urethane.