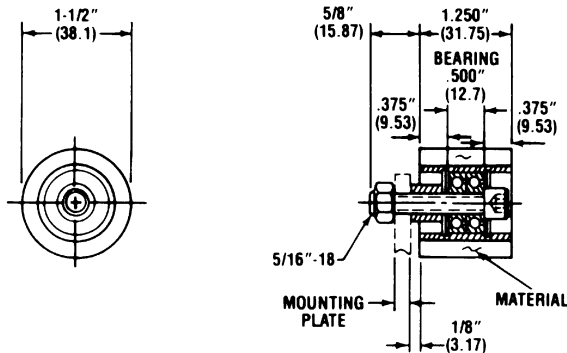


Rollers – Mini 1-1/2" Dia.

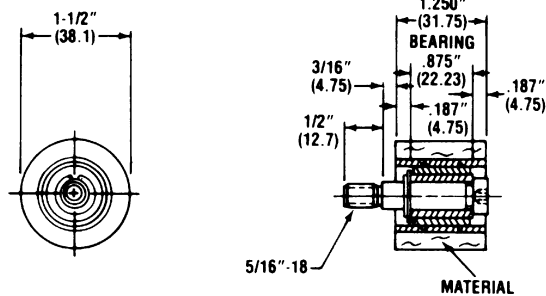


Mini rollers are only 1-1/2" in diameter. They're great wherever you need extra space or clearance. Mini rollers have unlimited design uses. They are available in a variety of mountings, styles and durometers.

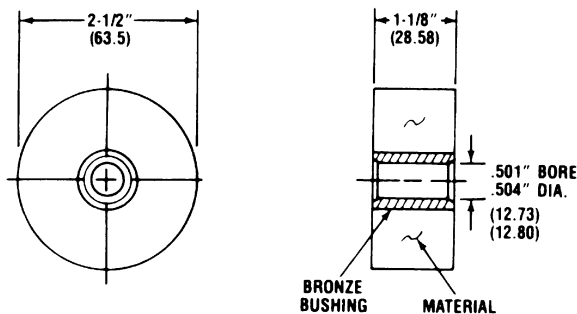


ROLL COMPLETE					
CAD FILE NAME	PART NUMBER	DUROMETER	MATERIAL AVAILABLE		
			(STD)	(W)	(UR)
ERR215C	ERR-215-20 ()-C*	20	X	X	
	ERR-215-35 ()-C*	35	X	X	X
	ERR-215-60 ()-C*	60	X	X	X
	ERR-215-80 ()-C*	80	X	X	X
	ERR-215-95UR-C*	95			X

* Add "P" for precision bearing or add "PC" for sealed precision bearing option.



BRAKE ROLL RIGHT/LEFT					
CAD FILE NAME	PART NUMBER	DUROMETER	MATERIAL AVAILABLE		
			(STD)	(W)	(UR)
EBR215	EBR-215-20 ()-R/L	20	X	X	
	EBR-215-35 ()-R/L	35	X	X	X
	EBR-215-60 ()-R/L	60	X	X	X
	EBR-215-80 ()-R/L	80	X	X	X
	EBR-215-95UR-R/L	95			X



1/2" SHAFT MOUNT					
CAD FILE NAME	PART NUMBER	DUROMETER	MATERIAL AVAILABLE		
			(STD)	(W)	(UR)
ERR125	ERR-125-60 ()	60	X	X	
	ERR-125-80 ()	80			X

Note: () Is the material to be specified to complete part number. When ordering, indicate your material selection into the part number after the durometer. Indicate nothing for black (STD), "W" for white or "UR" for urethane.