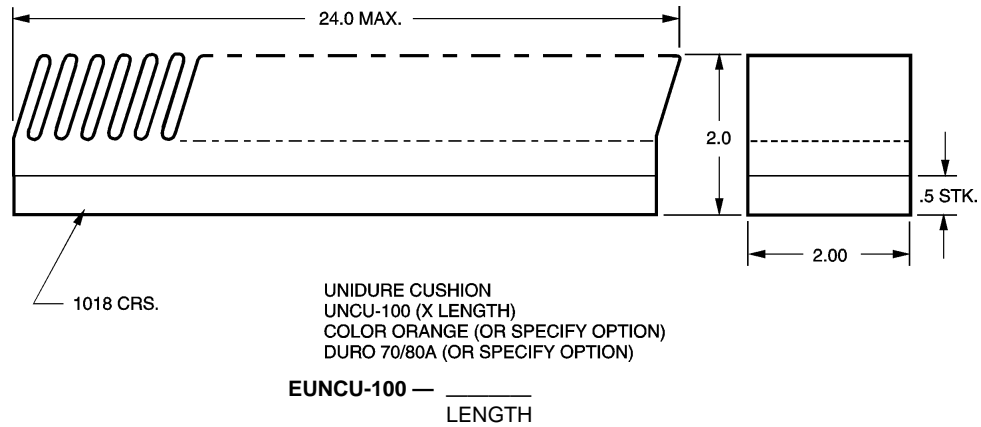


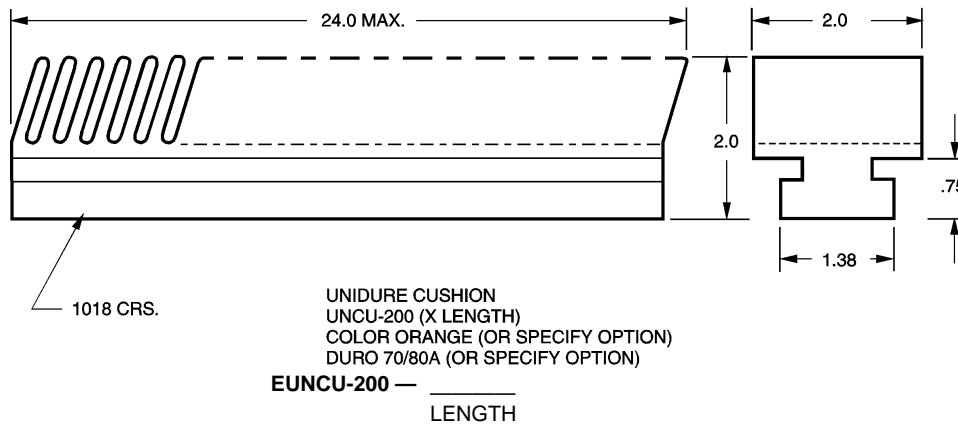
Unidure Cushion



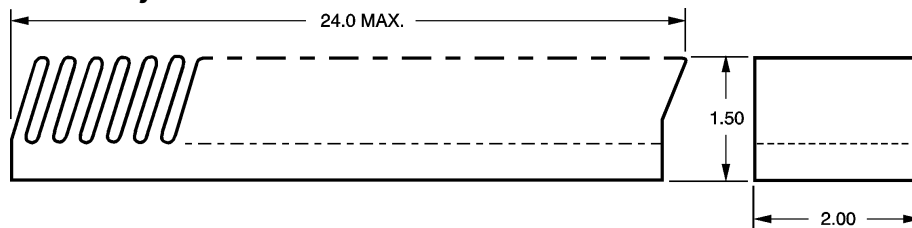
Screw or Weld Down Style



Unistrut® Insert Style



Nail Glue Screw Down Style



CAD FILE NAME=
EUN-CU

CAD Directory
MATL-Handling\Bumper