

Mini Non-Powered Rota-Shaft Clamps



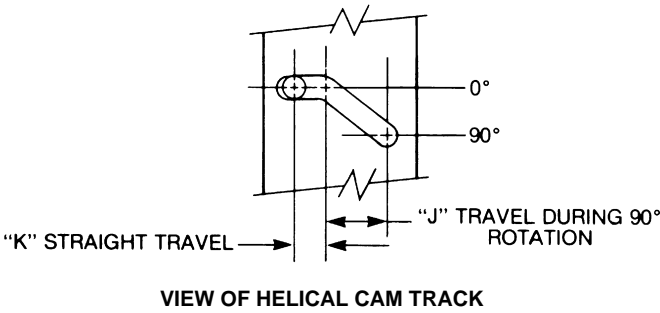
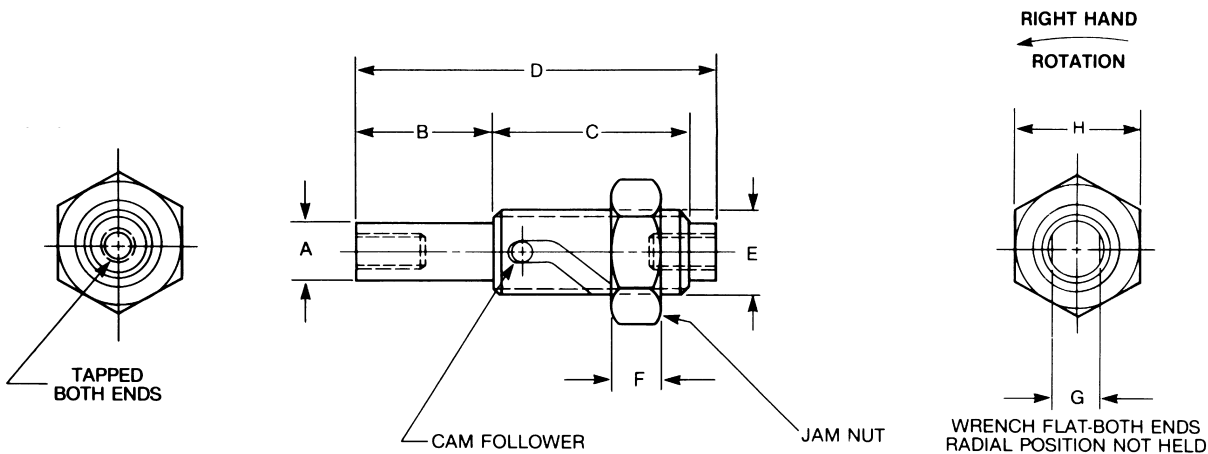
A wide selection of standard sizes with 3/8", 1/2", 5/8" dia. shafts to accommodate light-duty clamping applications. 90° right- or left-hand standard.

DESIGN FEATURES

- Fully-threaded body housing for easy set-up
- Hardened housing
- Precision machined cam track
- Precision cam follower, hardened and ground
- High alloy machineable steel shaft
- Lock nut provided
- Black oxide finish
- Right hand & left hand rotation are both standard

APPLICATION

Ideally suited for applications with small parts, limited accessibility. Can be actuated by plungers, cylinders, or various other linear actuation devices. Typically used for positioning, minimal holding in limited spaces.



RIGHT HAND SHOWN, LEFT HAND ALSO STANDARD

| CAD FILE NAME | PART NUMBER | TAP BOTH ENDS | DIMENSIONS | | | | | | | | | |
|---------------|--------------|-------------------|---------------|------|------|------|-------------|-----|-----|------|-----|-----|
| | | | A | B | C | D | E | F | G | H | J | K |
| E12510 | E12510 (R/L) | 1/4-28 .50 DP | .371 .001 | 1.00 | 1.50 | 2.75 | 5/8-18 THD. | .38 | .31 | .94 | .63 | .25 |
| E12610 | E12610 (R/L) | 5/16-24 .62 DP | .496 ±.001 | 1.25 | 1.75 | 3.25 | 3/4-16 THD. | .44 | .43 | 1.12 | .63 | .50 |
| E12710 | E12710 (R/L) | 3/8-24 1.00 DP | .621 .001 | 1.50 | 2.00 | 3.75 | 1-14 THD. | .56 | .56 | 1.50 | .63 | .62 |