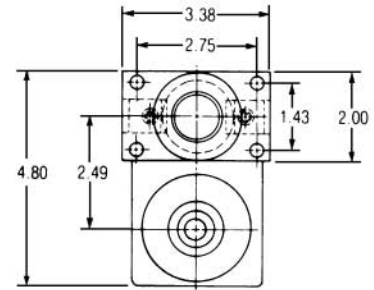


# Electric Rota-Shafts

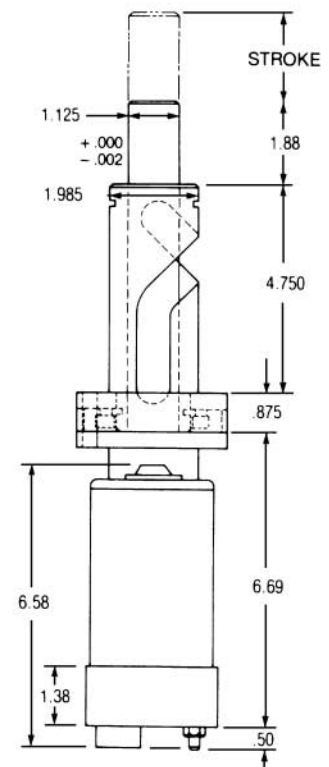
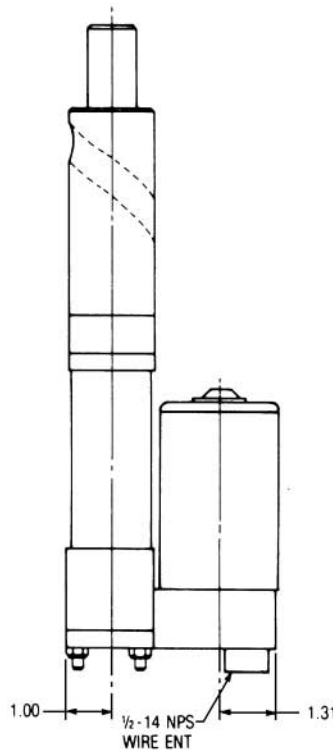


**NOTE:** PLEASE CONSULT  
FACTORY BEFORE  
INCORPORATING  
THIS EXAMPLE INTO  
YOUR DESIGN.



## DESIGN FEATURES

- ❑ More precise control than air or hydraulic, repeatability to .001
- ❑ Cleaner operation than air or hydraulic
- ❑ Rotation is the same as E&E EP 112 Series Rota-Shafts
- ❑ When used with our control:
  - Multiple stop capability; Programmable Positioning
  - Thrust control capability
  - Adjustable acceleration and deceleration
  - Compatible with today's controls
- ❑ Linear to rotary positioning without the use of air or oil. Clean, self locking, easy interface, overload protected, easy to use controls
- ❑ 100% Duty Cycle rated



## APPLICATION

Typically used in computerized manufacturing applications where controllers are in operation.