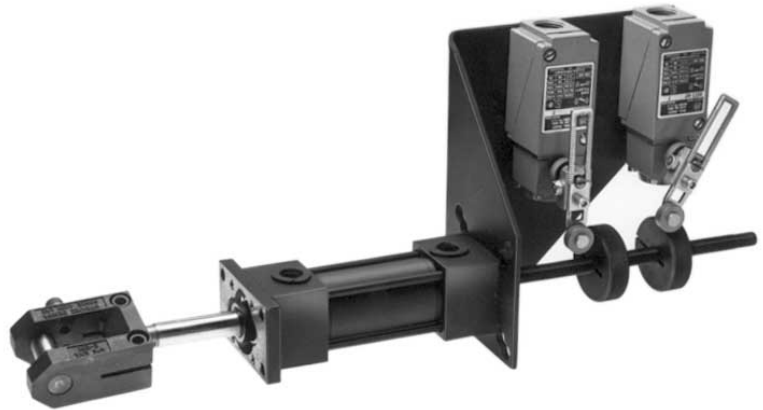


# Internal Powered Double Rod End Rota-Shaft

A full range of standard 1 1/2" to 3 1/4" bore J.I.C. double rod end cylinders incorporating the exclusive E&E helix within the cylinder to provide 90° right- or left-hand shaft rotation.



## DESIGN FEATURES

- Precision machined cam track
- Hardened housing
- Precision cam roller hardened and ground
- Standard J.I.C. cylinders
- Variety of bore sizes and shaft diameters available
- Offers air or hydraulic versatility
- Additional rotational, straight travel, and bores available on a special order basis
- Double rod end for switching capability
- Rods accept standard switch rods and dogs
- Extended tie rods for switch bracket mounting
- Equipped with standard threaded end for ease of mounting clamping details

## APPLICATION

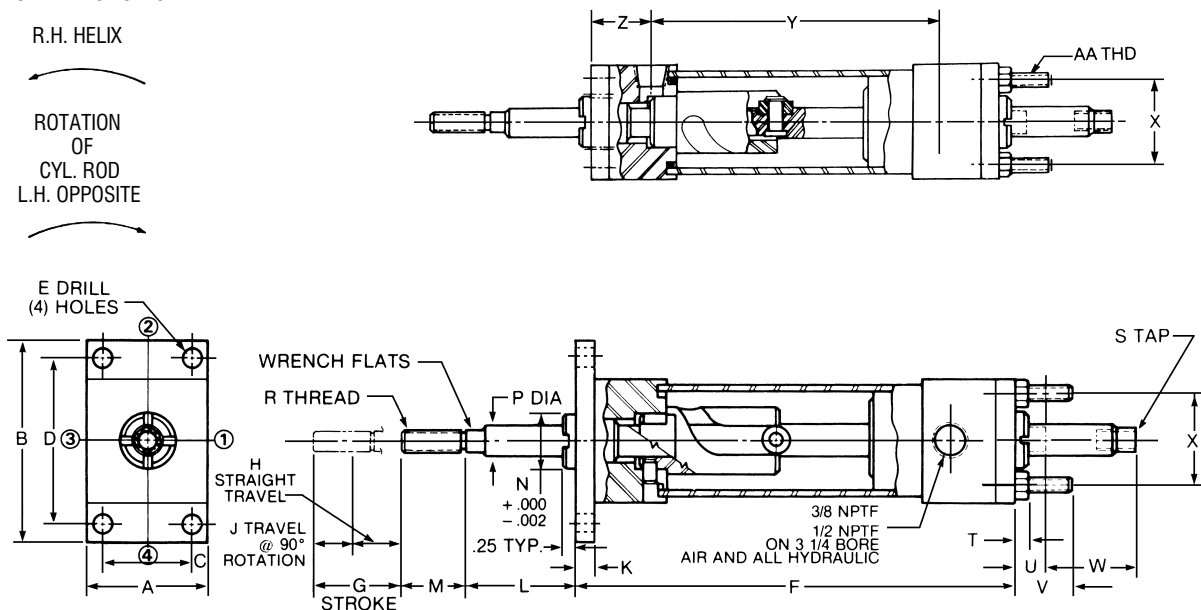
Typically used in pull-to-clip situations where greater clamping forces are required and position sensing is required.

**NOTE:** PORT POSITION 1  
FURNISHED UNLESS  
OTHERWISE SPECIFIED

R.H. HELIX



ROTATION  
OF  
CYL. ROD  
L.H. OPPOSITE



RIGHT HAND ROTATION SHOWN, LEFT HAND ALSO STANDARD.

AIR POWERED																										
CAD FILE NAME	PART NUMBER	CYL. BORE	DIMENSIONS																							
			A	B	C	D	E	F	G	H	J	K	L	M	N	P	R	S	T	U	V	W	X	Y	Z	AA
E58151DE	E-58151-(R/L)-DE	1-1/2	2.00	3.38	1.43	2.75	5/16	9.00	1.81	1.00	.81	.38	2.25	1.25	1.124	.625	7/16-20 .75 DP	.25	.62	1.00	1.81	1.43	6.38	1.32	1/4-20	
E58201DE	E-58201-(R/L)-DE	2.0	2.50	4.12	1.84	3.38	3/8	9.00	1.81	1.00	.81	.38	2.25	1.25	1.124	.625	7/16-20 .75 DP	.31	.62	1.00	1.81	1.84	6.38	1.32	5/16-24	
E58251DE	E-58251-(R/L)-DE	2-1/2	3.00	4.62	2.19	3.88	3/8	9.12	1.81	1.00	.81	.38	2.62	1.25	1.124	.625	7/16-20 .75 DP	.31	.62	1.12	1.81	2.19	6.50	1.32	5/16-24	
E11326DE	E-11326-(R/L)-DE	3-1/4	3.75	5.50	2.76	4.69	7/16	11.59	2.50	1.00	1.50	.62	3.25	1.62	1.499	1.000	3/4-16	3/4-16 1.12 DP	.38	.75	1.38	2.50	2.76	8.24	1.69	3/8-24

MAXIMUM RECOMMENDED OPERATING PRESSURE – 250 PSI AIR – 500 PSI HYDRAULIC  
MAXIMUM VELOCITY – 120 IN./MIN.

HYDRAULIC POWERED																										
CAD FILE NAME	PART NUMBER	CYL. BORE	DIMENSIONS																							
			A	B	C	D	E	F	G	H	J	K	L	M	N	P	R	S	T	U	V	W	X	Y	Z	AA
E48151DE	E-48151-(R/L)-DE	1-1/2	2.50	4.25	1.63	3.44	7/16	9.75	1.81	1.00	.81	.38	2.25	1.25	1.124	.625	7/16-20	7/16-20 .75 DP	.38	.62	1.00	1.81	1.63	7.00	1.37	3/8-24
E10201DE	E-10201-(R/L)-DE	2.0	3.00	5.12	2.05	4.12	9/16	11.72	2.50	1.00	1.50	.62	2.82	1.62	1.499	1.000	3/4-16	3/4-16 1.12 DP	.44	.75	1.12	2.50	2.05	8.48	1.62	1/2-20
E10251DE	E-10251-(R/L)-DE	2-1/2	3.50	5.62	2.55	4.62	9/16	11.84	2.50	1.00	1.50	.62	2.82	1.62	1.499	1.000	3/4-16	3/4-16 1.12 DP	.44	.75	1.38	2.50	2.55	8.60	1.62	1/2-20

MAXIMUM RECOMMENDED OPERATING PRESSURE – 1500 PSI HYDRAULIC  
MAXIMUM VELOCITY – 120 IN./MIN.

SPECIFY: -R (RIGHT-HAND)  
-L (LEFT-HAND)